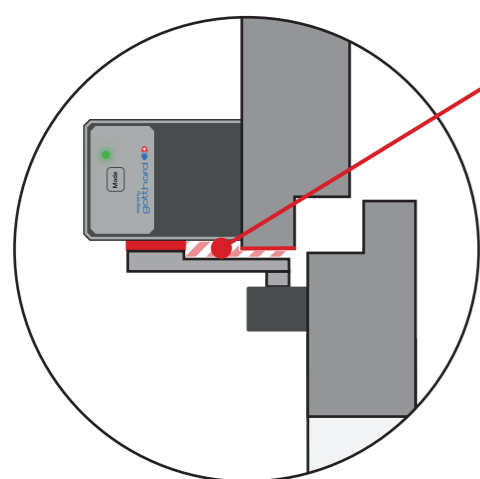
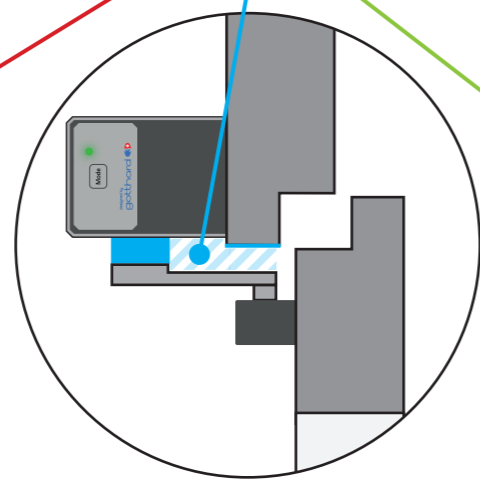


Area below door lintel edge

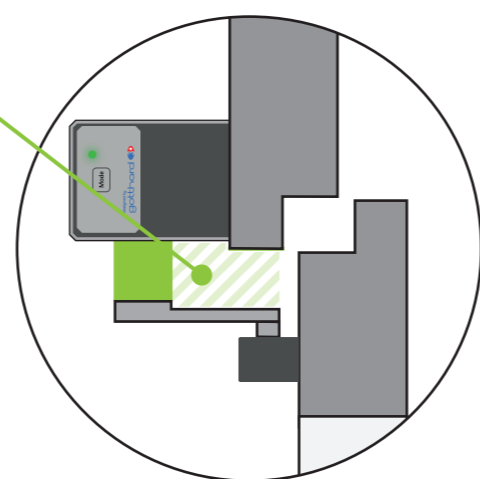
Axle extension 7 mm / 15 mm / 30 mm



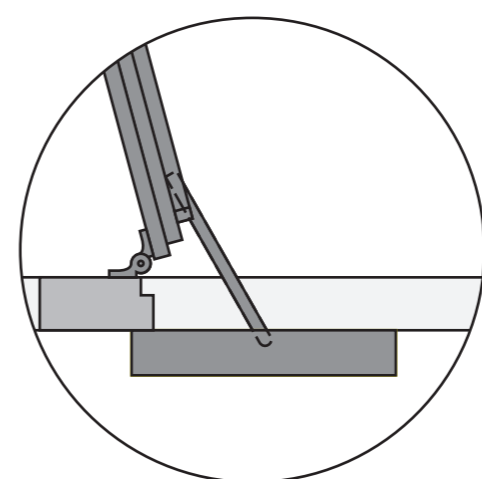
Standard
7 mm axle extension



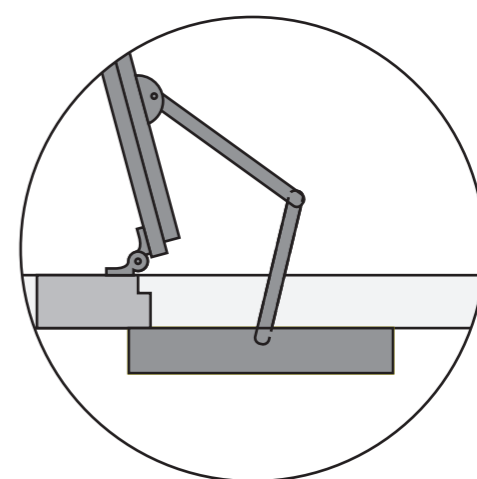
Option
15 mm axle extension



Option
30 mm axle extension

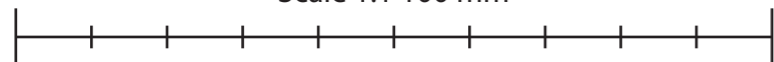


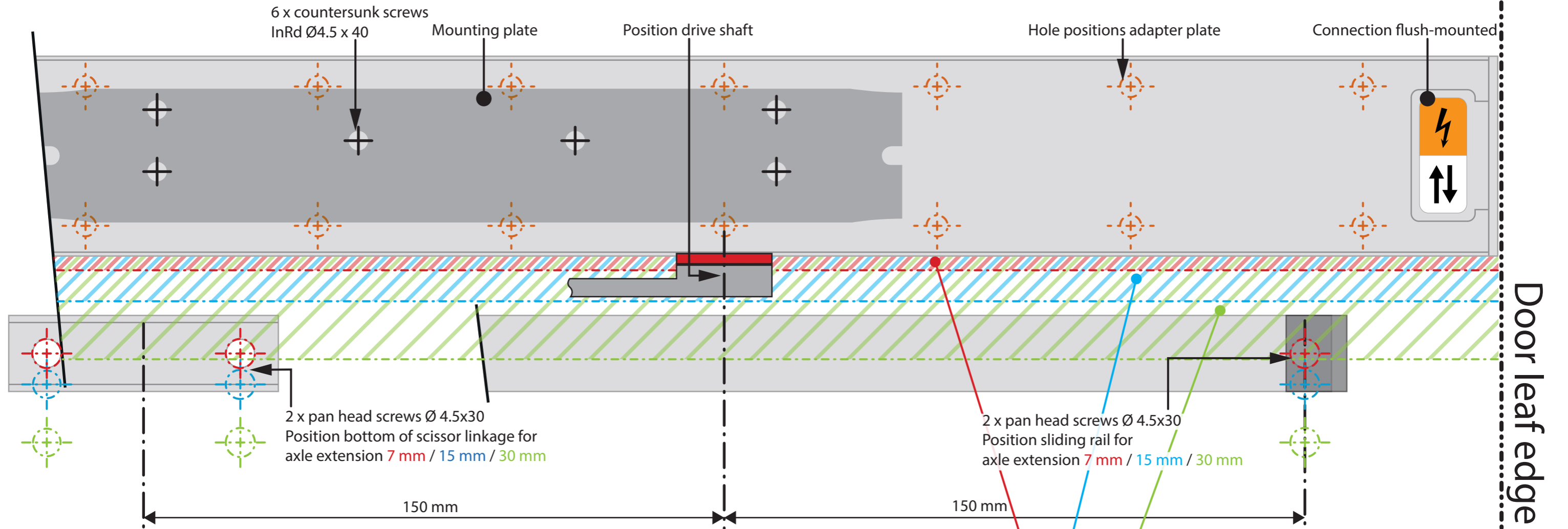
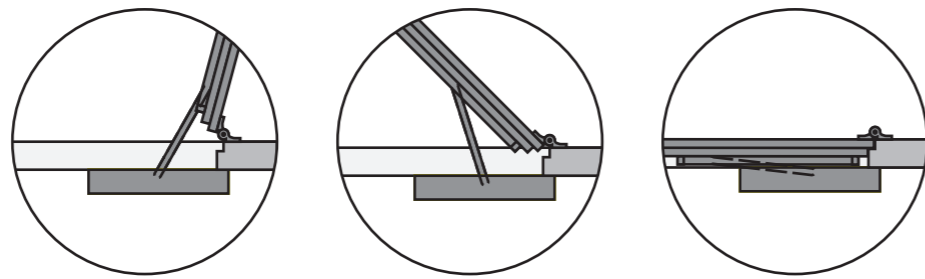
Sliding rail open



Scissor linkage open

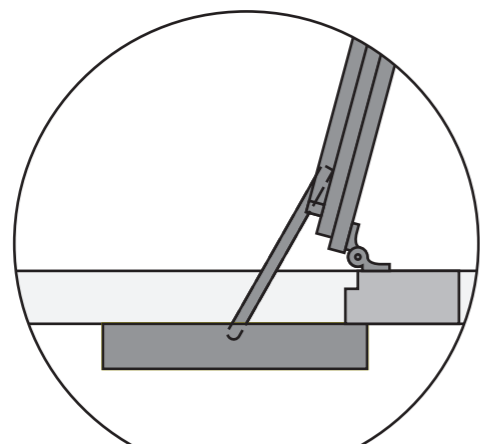
Scale 1:1 100 mm



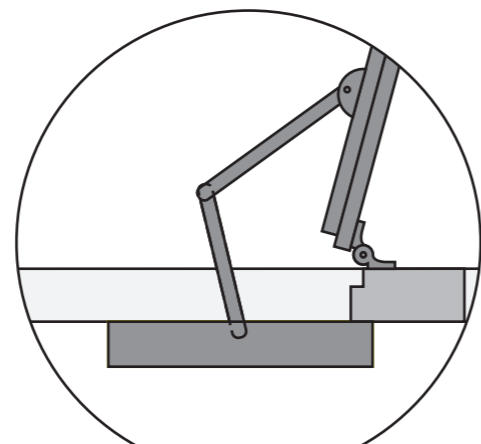


Area below door lintel edge

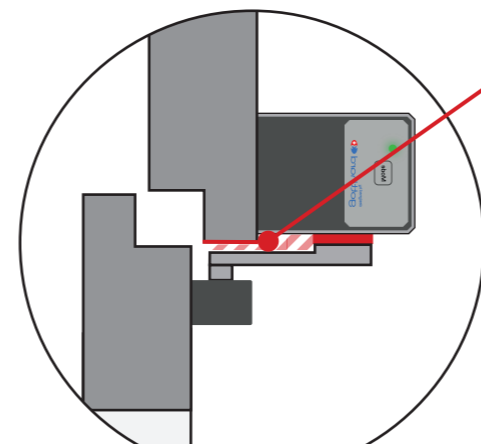
Axle extension 7 mm / 15 mm / 30 mm



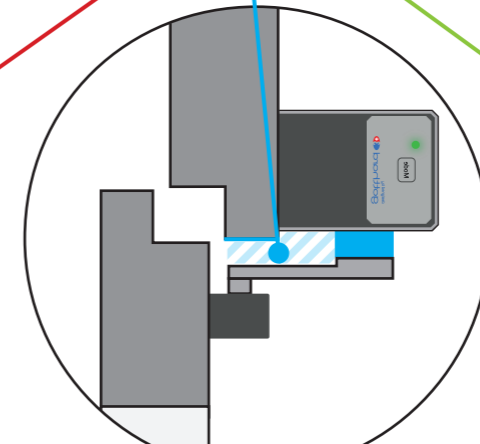
Sliding rail open



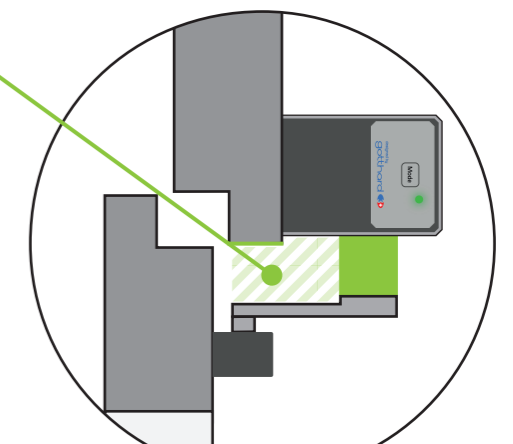
Scissor linkage open



Standard
7 mm axle extension

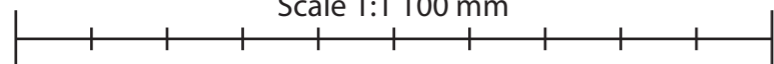


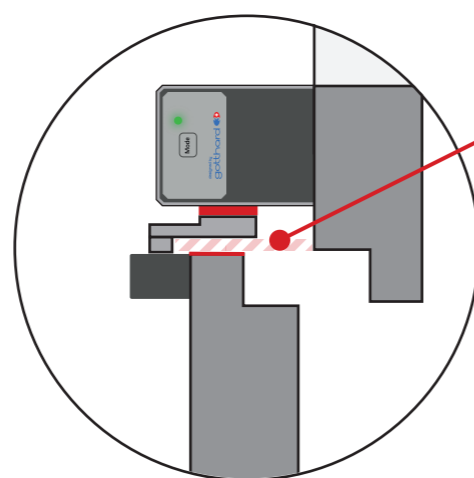
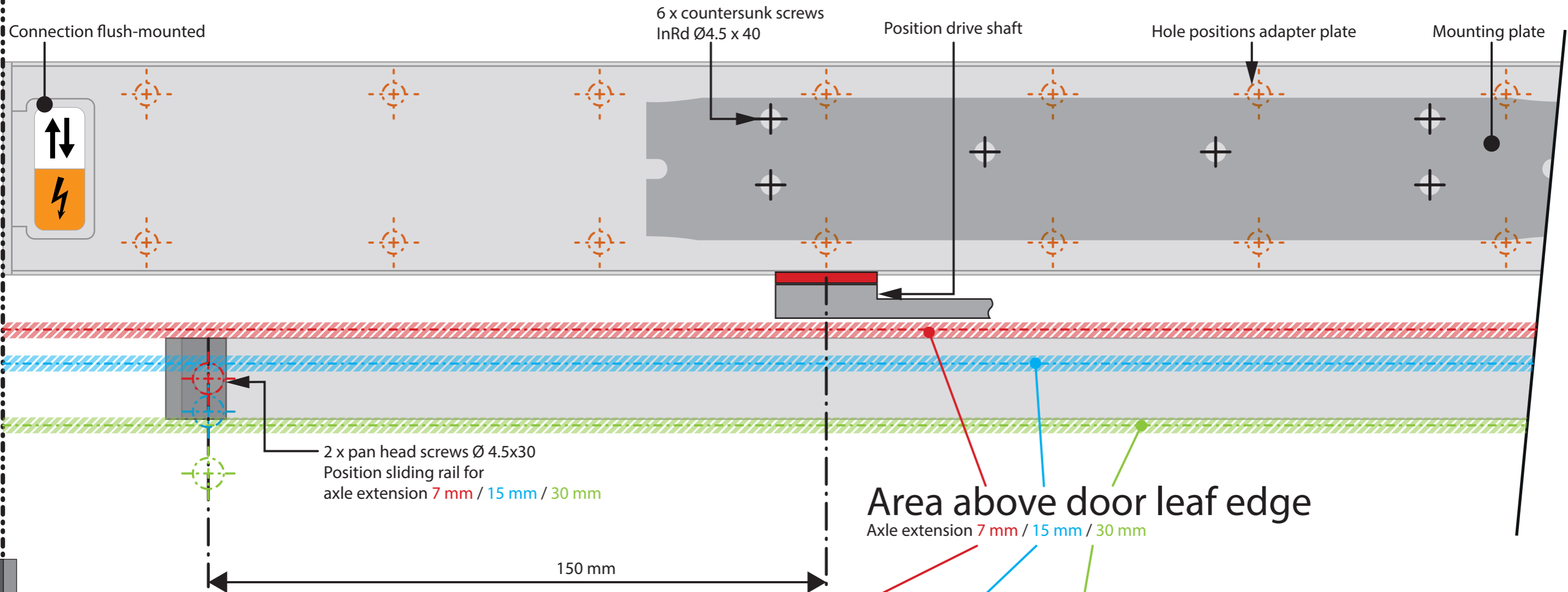
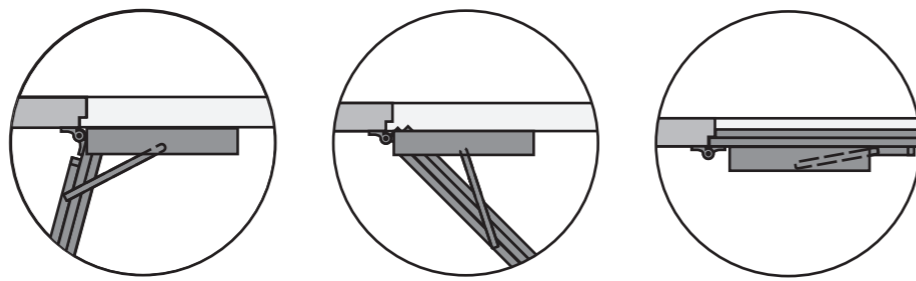
Option
15 mm axle extension



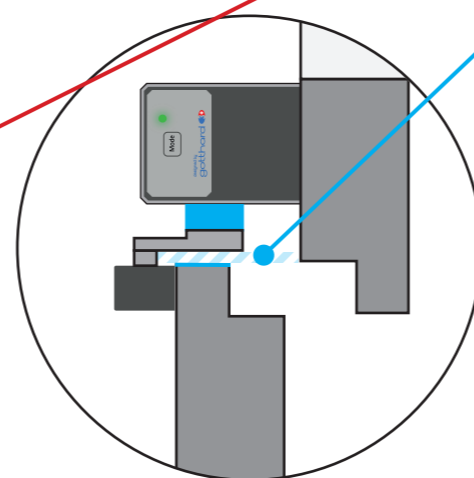
Option
30 mm axle extension

Scale 1:1 100 mm

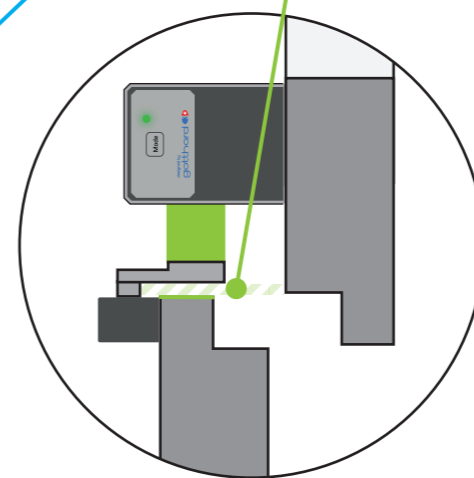




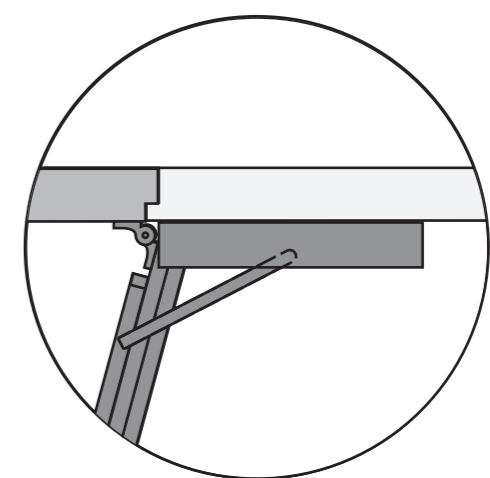
Standard
7 mm axle extension



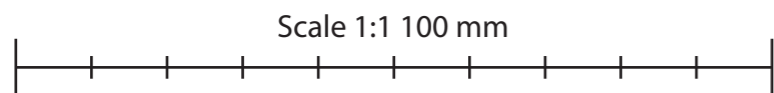
Option
15 mm axle extension

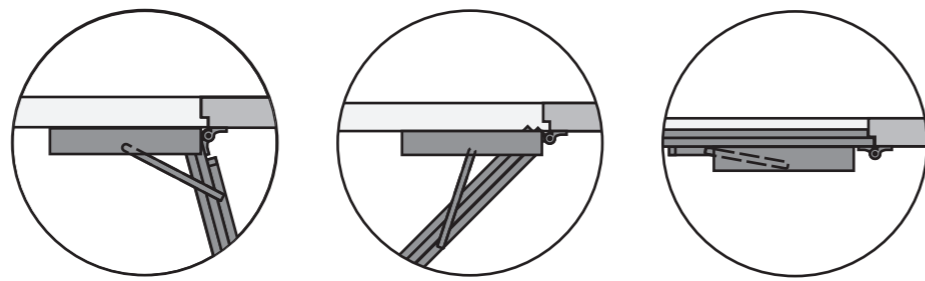


Option
30 mm axle extension

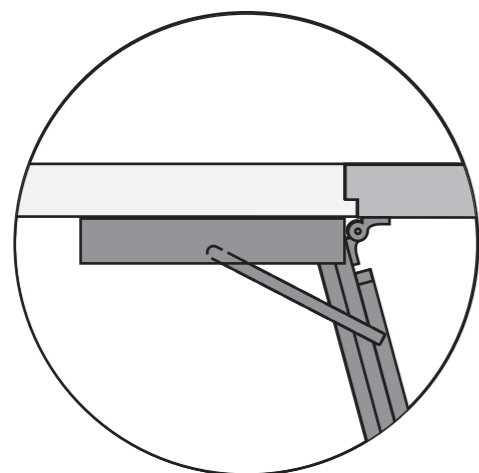
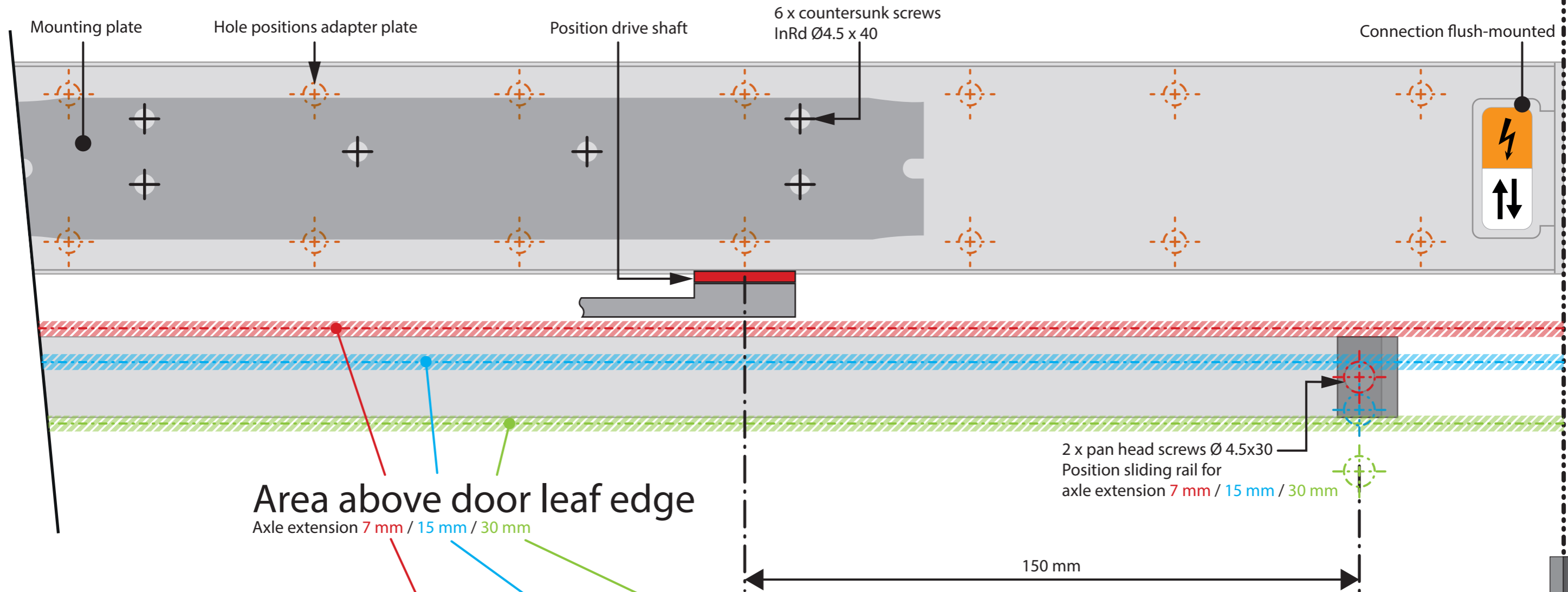


Sliding rail open

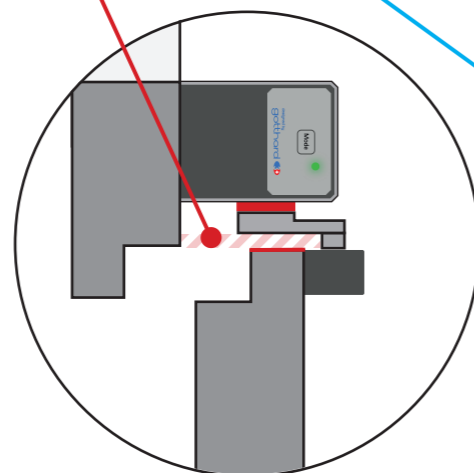




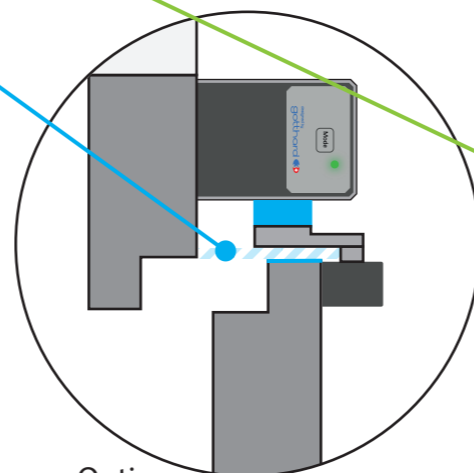
Drilling template Lintel assembly DIN right
Scale 1:1 Hinge side



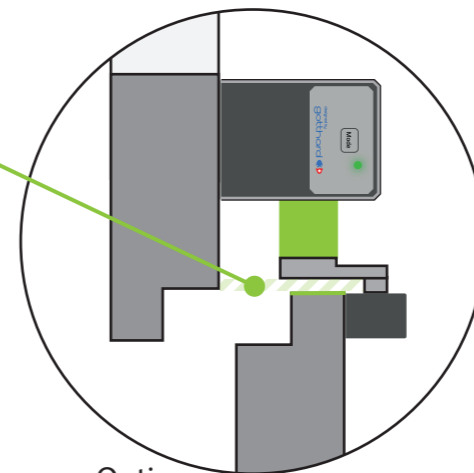
Sliding rail open



Standard
7 mm axle extension

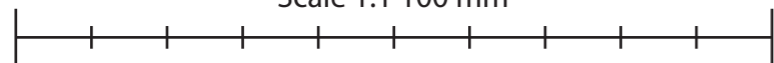


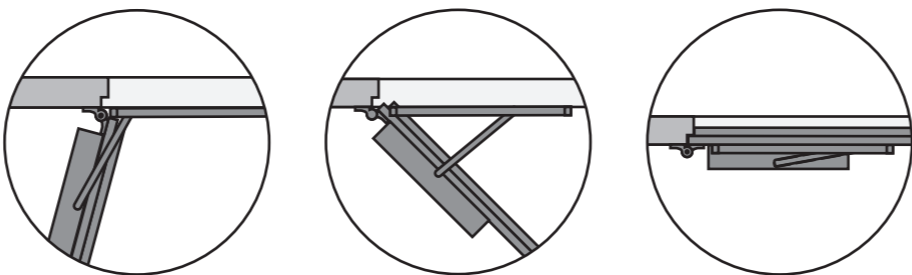
Option
15 mm axle extension



Option
30 mm axle extension

Scale 1:1 100 mm

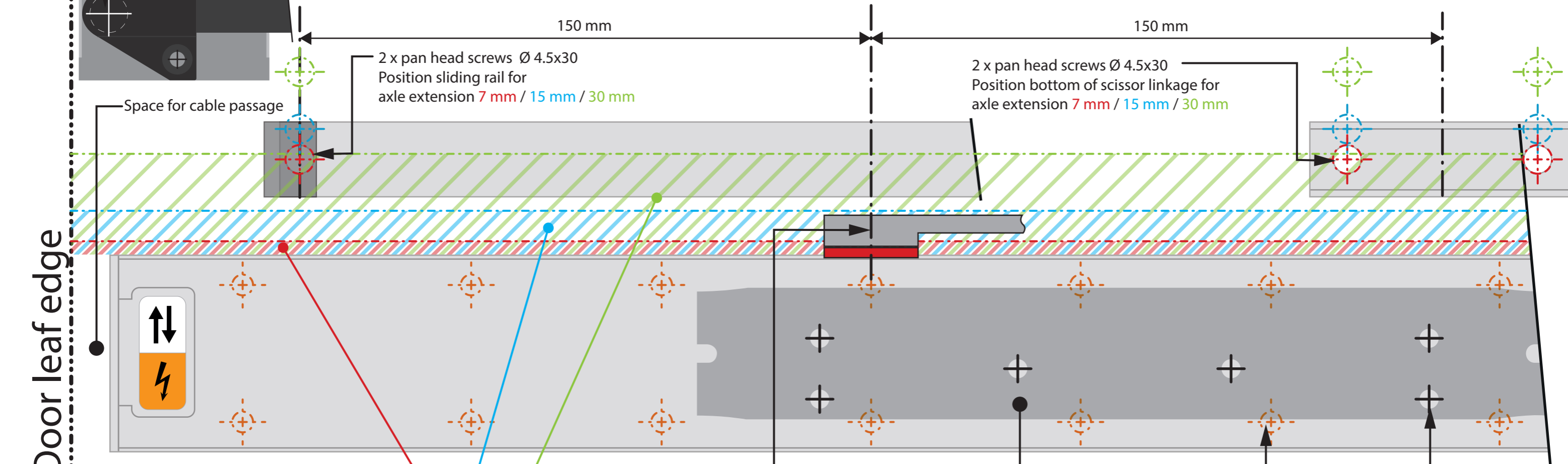




Drilling template Door leaf assembly

Scale 1:1
Hinge side
DIN left

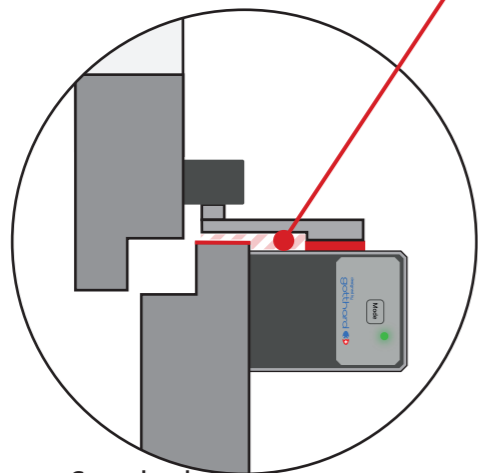
2x Ø 3.0
1x Ø 9.0



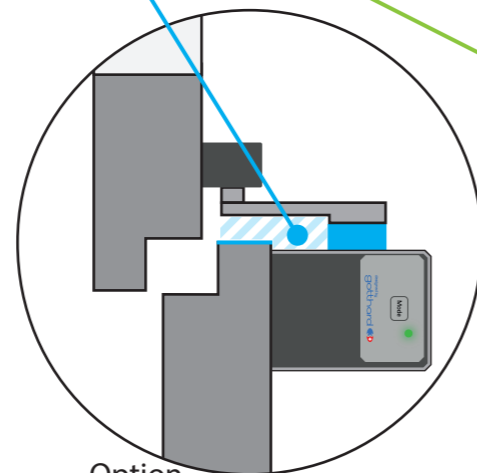
Door leaf edge

Area above door leaf edge

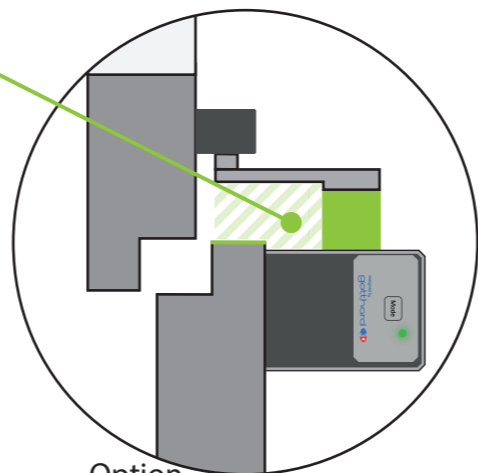
Axle extension 7 mm / 15 mm / 30 mm



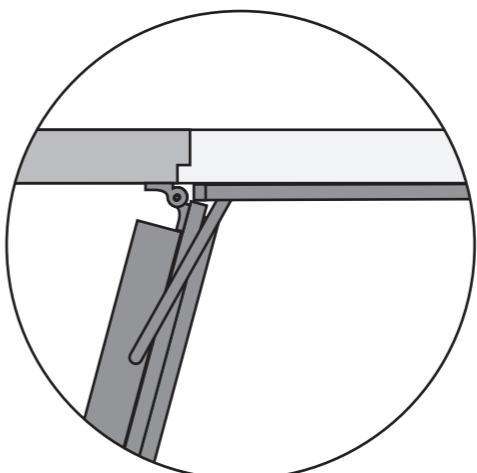
Standard
7 mm axle extension



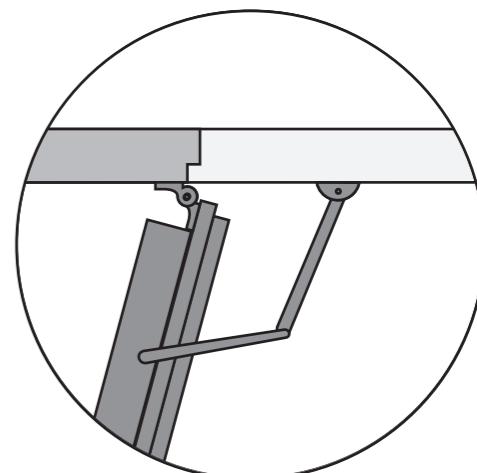
Option
15 mm axle extension



Option
30 mm axle extension

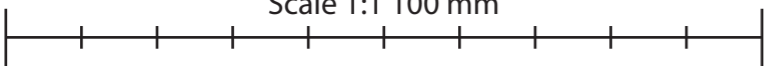


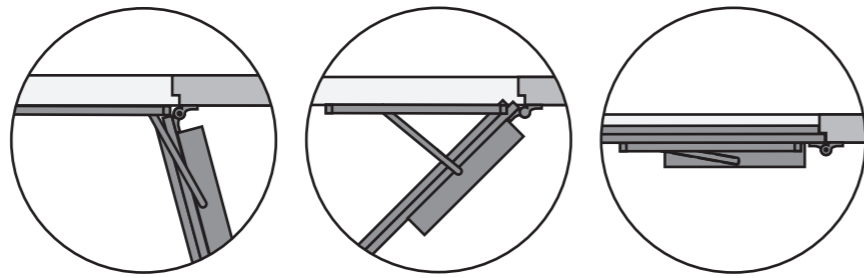
Sliding rail open



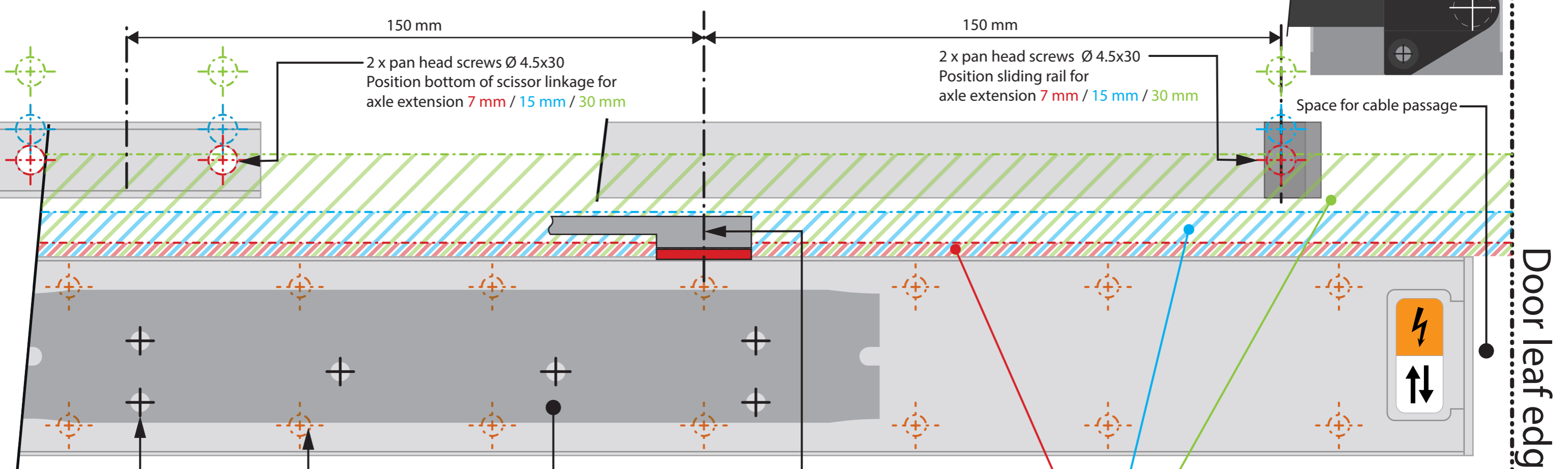
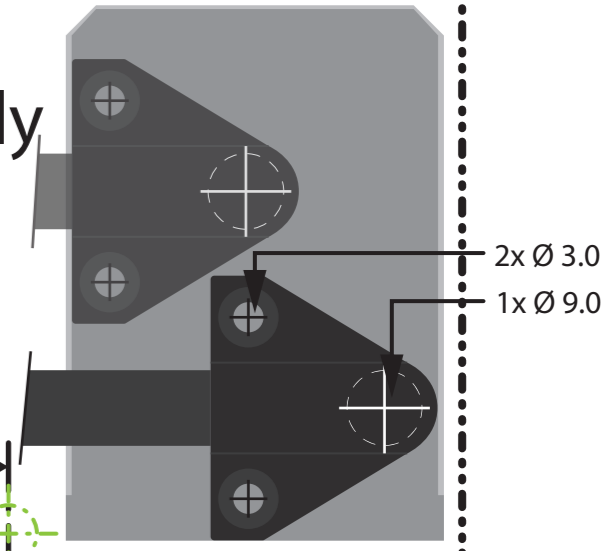
Scissor linkage open

Scale 1:1 100 mm



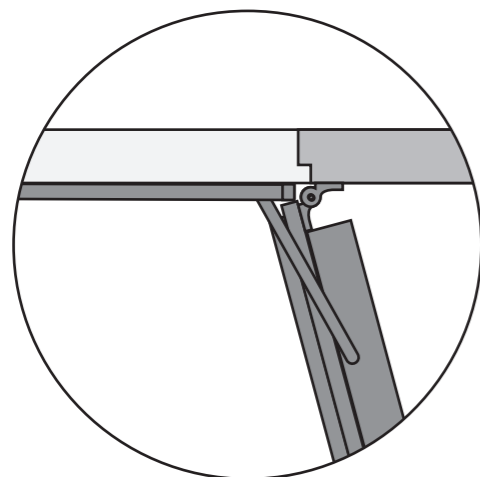


Drilling template Door leaf assembly
Scale 1:1 Hinge side
DIN right

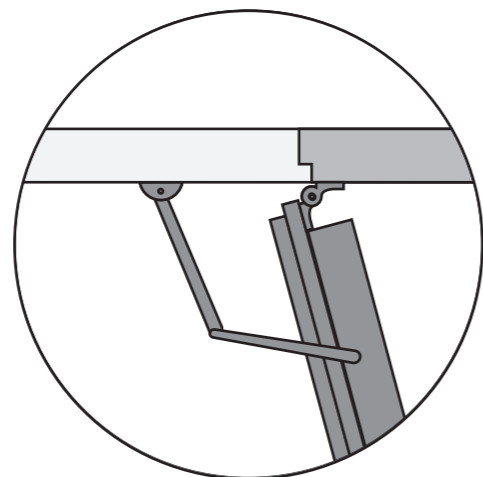


Area above door leaf edge

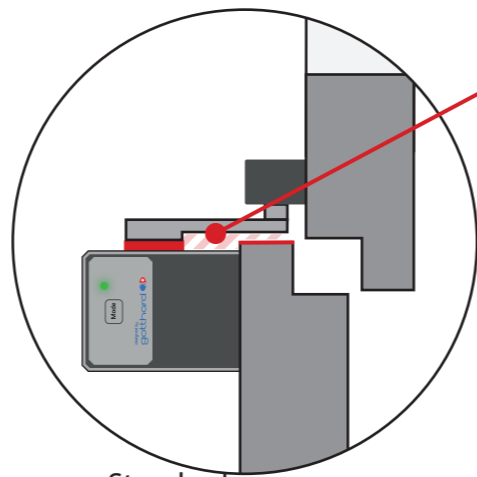
Axle extension 7 mm / 15 mm / 30 mm



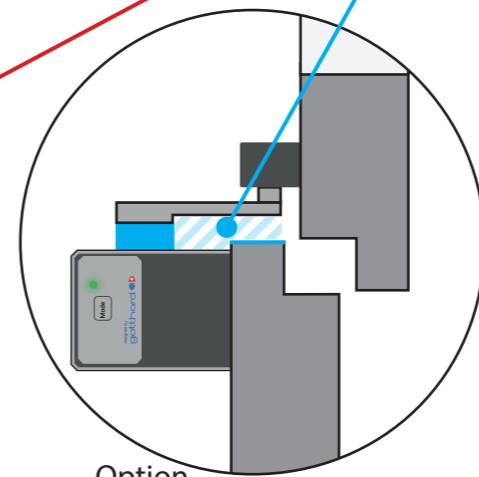
Sliding rail open



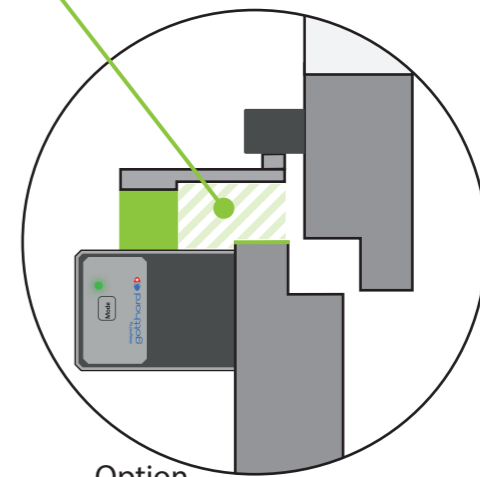
Scissor linkage open



Standard
7 mm axle extension



Option
15 mm axle extension



Option
30 mm axle extension

Scale 1:1 100 mm

