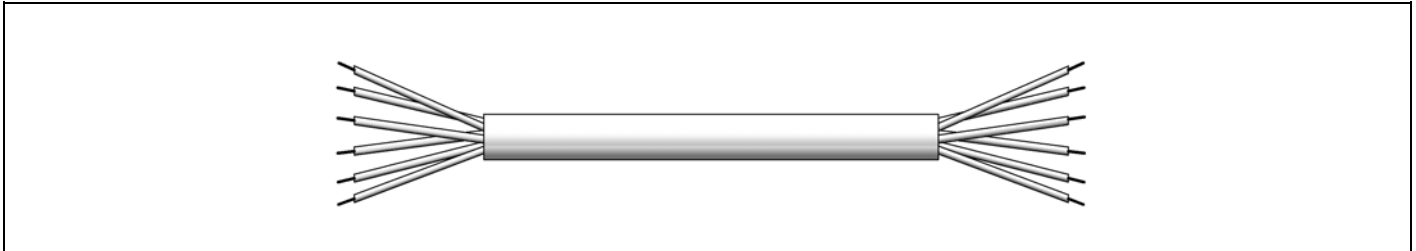


SERIES

SKA COMPACT

POWER CABLE DATA

MOTOR POWER CABLE + THERMAL PROTECTION



TECHNICAL DATA

<p>Description:.....FE(4G1,5+4x0,25)ccST/R-Pu Moving speed.....100 m/min Maximum acceleration.....4 m/s² Outer Ø.....9 ± 0.2mm Minimum bending radius.....10 x Ø Operating temperature :.....-20°C +80°C static application -5°C +80°C dynamic laying Rated voltage:.....1000 V Test voltage:.....3kV Max conductor resistance (20°): 0.25mm².....80 Ω/km 1.5 mm².....13,3 Ω/km</p>	<p>Insulation: polyolefin, red, black color (Ø outer 1,25mm) UNEL grey, black, brown, yellow/green (Ø outer 2,4mm) Jacket : polyurethane compound, black RAL 9005 glazed Conductor : electrolytic copper braid not tinned – 2 wires 0.25 mm² - 4 wires 1,5 mm²· Class 5 IEC 60228 Shield jacket: full tinned copper covered ≥85% Shield wire: tinned copper – 1 wire 0.5 mm²</p>
---	---

UL COMPLIANCE

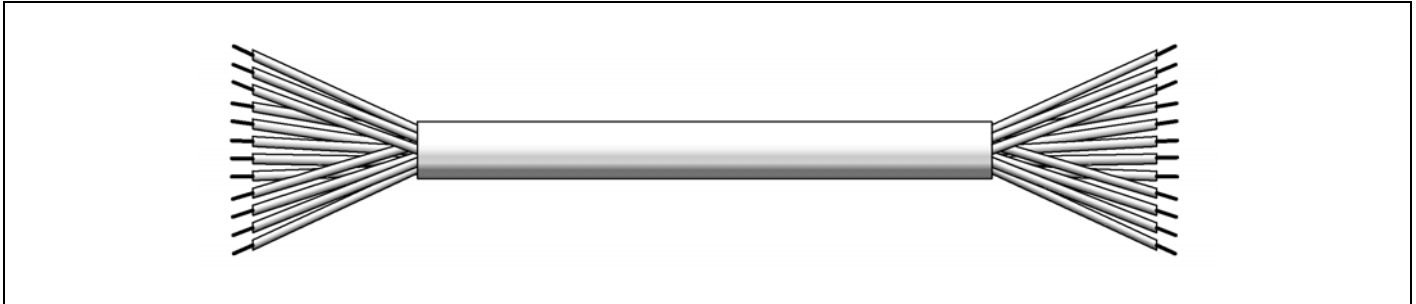
NORM UL 758 and CSA C22.2 No. 210.2

SERIES

SKA COMPACT

SIGNAL CABLE

FEEDBACK CABLE



TECHNICAL DATA

Description :.....FE(8x2xAWG 28)ccST/R-Pu	Insulation: polyolefin, couple colors DIN 47100, Ø outer 0.85mm
Maximum speed.....100 m/min	Jacket : polyurethane compound, black RAL 9005 glazed
Maximum acceleration4 m/s ²	Conductor : electrolytic copper braid not tinned, 16 wires (8 twisted pairs), AWG28 – 0.088mm ²
Outer Ø:.....7 ± 0.2	Shield jacket: full tinned copper, covered ≥85%
Minimum bending radius.....10 x Ø	Shield wire: tinned copper – 1 wire AWG 28
Operating temperature:.....-20°C +80°C static application	Insulation resistance: power: ≥20 Mohm. Km
.....-5°C +80°C dynamyc laying	
Rated voltage:.....300 V	
Conductor resistance:..... ≤ 215 Ω/km	
Characteristic impedance :.....100 Ω	
Capacitance:.....50 pF/m	
Nominal velocity of propagation :.....66%	

UL COMPLIANCE

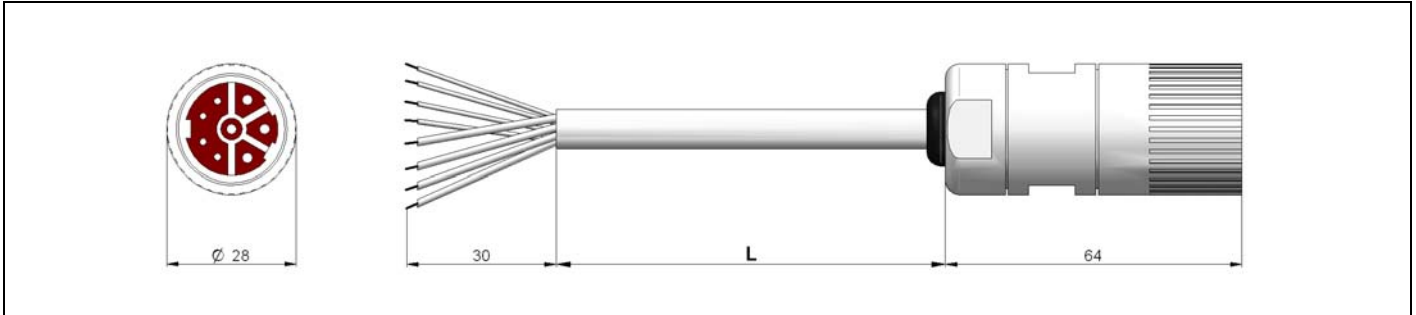
NORM UL 758 and CSA C22.2 No. 210.2

SERIES

SKA COMPACT

POWER CABLE 02

Power Cable 8pin M23 – Flying leads



CONNECTION		
4+4 pin Power		
<i>Pin</i>	<i>FUNCTIONS</i>	<i>COLOR</i>
1	Phase U	Grey
2	PE	Yellow/Green
3	Phase W	Brown
4	Phase V	Black
Brake (optional)		
<i>Pin</i>	<i>FUNCTIONS</i>	<i>COLOR</i>
A	+24 Vdc	Red
B	0	Black
Thermal Protection (optional)		
<i>Pin</i>	<i>FUNCTIONS</i>	<i>COLOR</i>
C	PT / (PTC+)	
D	PT / (PTC-)	

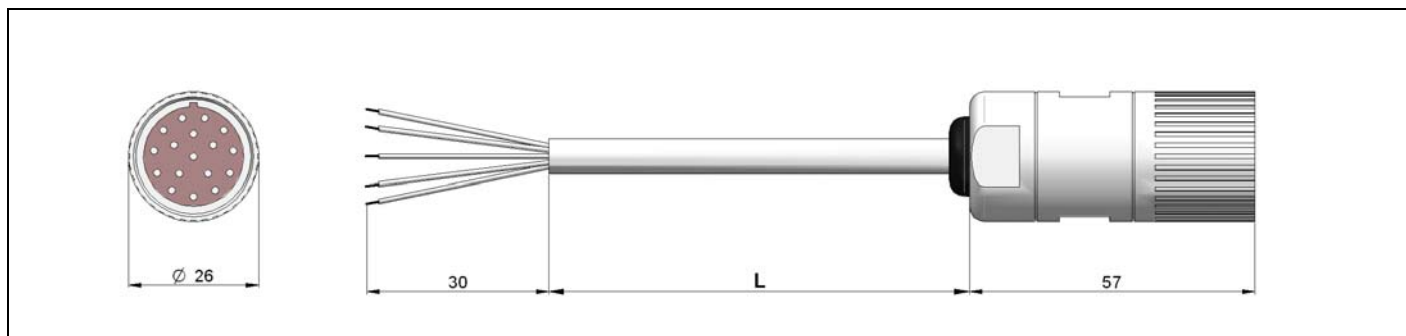
<i>Length mm</i>	<i>Code</i>
3000	003108010650
5000	003108010652
10000	003108010654

SERIES

SKA COMPACT

SIGNAL CABLE 05

Feedback cable 17pin M23 – Flying Leads



CONNECTION			
Cn 17 pin Feedback			
Pin	Color	Encoder TTL	Encoder SinCos
		FUNCTIONS	FUNCTIONS
1	GREY-PINK	HALL W	HALL W
2	WHITE-YELLOW	HALL U	HALL U
3	WHITE	0V	0V
4	BROWN	+5V	+5V
5	YELLOW	A/	Sin -
6	GREEN	A	Sin +
7	GREY	Z/	Ref -
8	PINK	Z	Ref +
9	WHITE-GREEN	HALL V	HALL V
10	Shield wire	Shield	Shield
11	BLACK	B/	Cos -
12	VIOLET	B	Cos +
13	RED-BLUE	HALL W/	HALL W/
14	BROWN-GREEN	HALL V/	HALL V/
15	YELLOW-BROWN	HALL U/	HALL U/
16	-	-	-
17	-	-	-

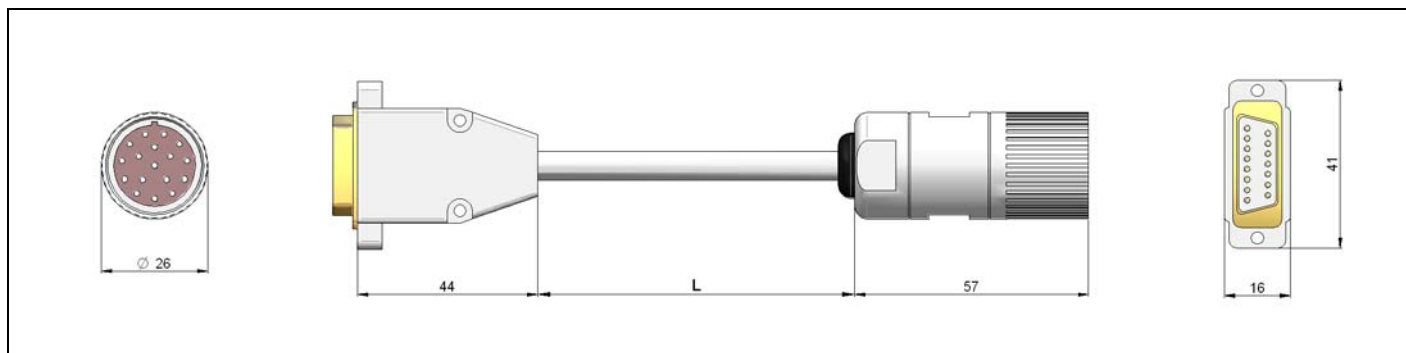
Length mm	Code
3000	003108010500
5000	003108010502
10000	003108010504

SERIES

SKA COMPACT

SIGNAL CABLE 07

Feedback Cable 17pin M23 -15pin D Type



CONNECTION				
Motor Side		Drive Side		
<i>Pin</i>	<i>Color</i>	<i>Pin</i>	<i>Encoder FUNCTIONS</i>	<i>Encoder SinCos FUNCTIONS</i>
1	GREY-PINK	1	HALL W	HALL W
2	WHITE-YELLOW	2	HALL U	HALL U
3	WHITE	3	0V	0V
4	BROWN	4	+5V	+5V
5	YELLOW	5	A/	Sin -
6	GREEN	6	A	Sin +
7	GREY	7	Z/	Ref -
8	PINK	8	Z	Ref +
9	WHITE-GREEN	10	HALL V	HALL V
10	Shield wire	Case	Shield	Shield
11	BLACK	14	B/	Cos -
12	VIOLET	15	B	Cos +
13	RED-BLUE	-	-	-
14	BROWN-GREEN	-	-	-
15	YELLOW-BROWN	-	-	-

<i>Lenght mm</i>	<i>Code</i>
3000	003108010580
5000	003108010582
10000	003108010584