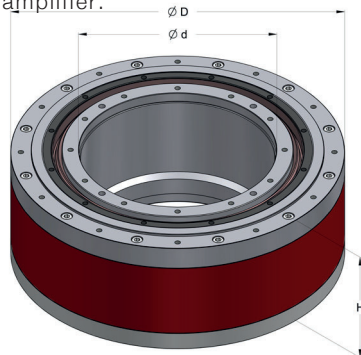


## SKA ROTARY TABLE DIRECT DRIVE MOTORS

Directly driven rotary tables provide versatile applications due to their backlash free structure. If necessary a compact servo system with high torque and high accuracy, SKA Rotary Table is the perfect answer for the ideal application. This complete series is provided with or without its perfectly coupling amplifier.



### FEATURE

- Instantaneous peak torque till 2400 Nm
- A high-speed operation up to 1400 rpm
- Maximum motor speed up to 900 rpm
- High-precision indexing with over 1,000,000 cpr, after interpolation
- Absolute accuracy of  $\pm 25$  till 6,3 arc sec
- No backlash for a high-precision, high-speed operation with shorter settling time
- Improved positioning accuracy
- Uncomplicated and trouble-free usability drives
- Perfect matching between motor and drives with different network communication
- Analog encoder for increasing the final resolution
- Absolute encoder for the purest positional information
- Parameters to change: speed control, torque or positioning control

	STALL TORQUE (Nm)	PEAK TORQUE (Nm)	SPEED (Rpm)	POLES (nr)	INERTIA (kg cm <sup>2</sup> )	WEIGHT (kg)	EXTERNAL DIAMETER D (mm)	HOLE DIAMETER d (mm)	HEIGHT H (mm)	RATED VOLTAGE (Vac)
SKA RT 148.30	8	35	900	14	68,5	15,3	179	60	127,5	230
SKA RT 148.60	14	68	900	14	91,8	18,1	179	60	157,5	230
SKA RT 148.90	20	103	900	14	114,2	22	179	60	187,5	230
SKA RT 148.120	26	141	630	14	137,1	26,1	179	60	217,5	230
SKA RT 245.30	41	128	600	28	542,1	42,9	290	135	136,5	400
SKA RT 245.60	70	241	600	28	651,0	55,4	290	135	166,5	400
SKA RT 245.90	93	330	600	28	777,8	67,8	290	135	196,5	400
SKA RT 245.120	115	410	500	28	904,2	80,3	290	135	226,5	400
SKA RT 335.30	100	290	350	42	2847,0	73,1	390	190	138	400
SKA RT 335.60	164	585	350	42	3629,1	94,1	390	190	168	400
SKA RT 335.90	220	800	350	42	4411,0	115	390	190	198	400
SKA RT 335.120	270	975	350	42	5193,0	136,1	390	190	228	400
SKA RT 335.150	320	1200	300	42	5975,1	157	390	190	258	400
SKA RT 430.30	210	458	300	56	8698,7	105,7	490	290	150	400
SKA RT 430.60	340	800	300	56	10637,8	133,7	490	290	180	400
SKA RT 430.90	450	1200	250	56	12577,0	161,1	490	290	210	400
SKA RT 430.120	560	1600	150	56	14516,0	188,7	490	290	240	400
SKA RT 430.150	660	1950	150	56	16455,8	215,7	490	290	270	400
SKA RT 430.180	760	2400	100	56	18394,7	243,3	490	290	300	400