



SKA DDR DIRECT DRIVE TORQUE MOTORS

Direct drive synchronous torque motors. Featuring a remarkable stall torque capacity plus high acceleration values, SKA DDR achieves efficiencies and precision positioning that are difficult to obtain with conventional systems. Advantages: full elimination of all transmission mechanical components, significant time and cost saving in machine maintenance and proven energy reduction. SKA DDR is available in **Frameless** and **Power Pack** version, a perfect example of **Motor Power Company's** skills in the electrical and mechanical spheres.

FEATURE

2 – 760Nm stall torque

15.9 – 2400Nm peak torque

Thermal protector (clixon)

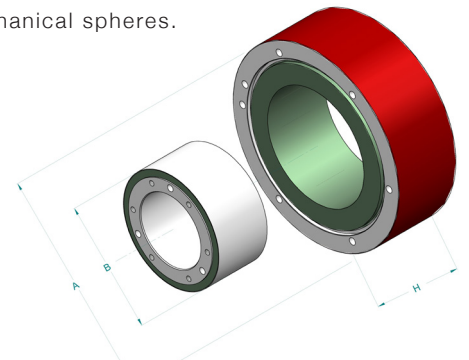
Class F insulation

IP65 protection

Feedback: resolver, incremental and absolute encoders

CE - UL certified

The Power Pack version includes the SKA DDR torque motor with mounting flange, bearings and transducer, aluminium cover case and specific connections. Power Pack version are available with blind shaft and male shaft versions.



Motor type	Stall torque (Nm)	Peak torque (Nm)	Speed (Rpm)	Poles number	Inertia (Kg cm ²)	Weight (Kg)	Ex. diameter A (mm)	Hole diam. B (mm)	Thickness H (mm)
SKA DDR090.30	2	15.9	1000	14	3.1	1.98	110	30	60
SKA DDR090.60	3.5	28	1000	14	4.98	3.4	110	30	90
SKA DDR090.90	4.7	40	1000	14	6.86	4.7	110	30	120
SKA DDR148.30	8	35	800	14	36.11	5.1	180	65	62
SKA DDR148.60	14	72	800	14	57.1	8.45	180	65	92
SKA DDR148.90	20	106	800	14	78.09	11.75	180	65	122
SKA DDR148.120	26	141	800	14	99.08	15.1	180	65	152
SKA DDR245.30	41	128	600	28	245	14.3	290	130	70
SKA DDR245.60	70	241	600	28	371	22.9	290	130	100
SKA DDR245.90	93	350	500	28	498	31.5	290	130	130
SKA DDR245.120	115	458	500	28	624	40.1	290	130	160
SKA DDR335.30	100	290	400	42	1231	25	390	210	82
SKA DDR335.60	164	550	400	42	1805	38.7	390	210	112
SKA DDR335.90	220	800	200	42	2367	52.4	390	210	142
SKA DDR335.120	270	1043	200	42	2932	66.2	390	210	172
SKA DDR335.150	320	1290	200	42	3498	79.7	390	210	202
SKA DDR430.30	210	458	200	56	3894	8.1	490	290	85
SKA DDR430.60	340	868	200	56	5642	58.5	490	290	115
SKA DDR430.90	450	1254	150	56	7323	78.5	490	290	145
SKA DDR430.120	560	1649	150	56	9025	99.2	490	290	175
SKA DDR430.150	660	2025	90	56	1073	119.2	490	290	205
SKA DDR430.180	760	2400	90	56	1243	138.8	490	290	235

All data are related to the Frameless version, which includes rotor and stator only.