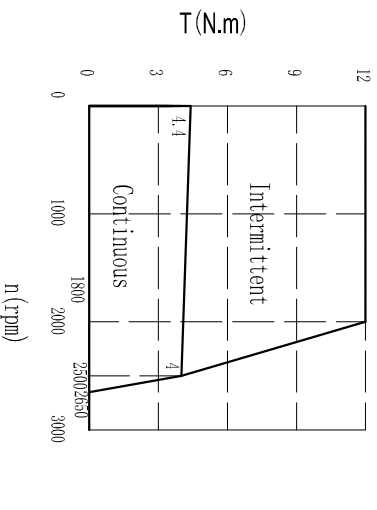
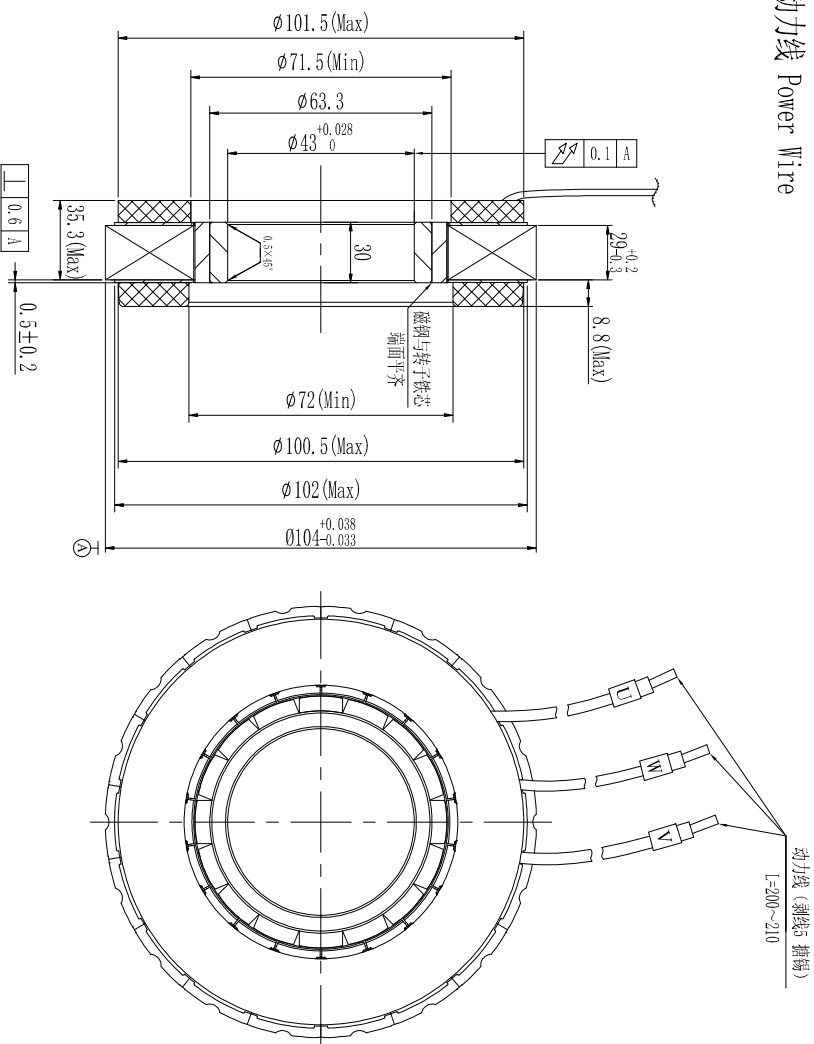


定义 FUNCTION	颜色 COLOR
U相 MOTOR U	兰 BLUE (14AWG)
V相 MOTOR V	棕 BROWN (14AWG)
W相 MOTOR W	紫 PURPLE (14AWG)

动力线 Power Wire



技术要求:

定子引出线按GB/T 7345-2008要求:
对定子三相线, 每根引出线应能承受34.5N的拉力,
试验后, 引出线不能断开, 绝缘层和线芯不能损坏。

VER	DESCRIPTION OF CHANGE	VER	DESCRIPTION OF CHANGE
VI.1	变更规格型号	VI.1	变更规格型号
FINAL TOLERANCE REFERENCE GB/T 1804-m Unit:mm LINER			
≤6	±0.1	>6~30	±0.2
>30~120	±0.3	>120~400	±0.5

Technical Data	
No. of poles	16
DC Link Voltage U _{dc} (DC Link)	48
Rated Power P _N (W)	1050
Rated Torque T _N (N.m)	4
Rated Speed n _N (rpm)	2500
Rated Current I _N (A)	22.5
Maximum torque T _e (N.m)	12
Maximum Current I _s (A)	74.1
Standstill torque T _s (N.m)	4.4
Standstill current I _s (A)	24.6
Resistance line-line R (Ω)	±10%
Inductance line-line L _l (mH)	±20%
Electrical time constant τ _e (ms)	3.28
Mechanical time constant τ _m (ms)	1.09
Voltage constant K _e (V/krpm)	±5%
Torque constant K _t (Nm/A)	0.196
Rotor moment of inertia J _m (kg·cm ²)	4.2
Insulation class	F
Weight (kg)	1.51
Feed back device	Totally enclosed non-ventilated
Temperature Sensor	guarantee the measured winding temperature is between -20°C and 120°C
Cooling method	Below 90%RH (No dewing)
Environmental conditions	Far away active gas, combustible gas, oil drop, ash
Humidity	DP 10 1000m:rated power, above 1000m:1.5% power
Environment	decreasing per 100m, max. 1000m
Installation altitude	
DESIGN DATE	ZZJ 22-02-11
CHECK DATE	WJD 22-02-11
APPROVE	SL 22-02-11
TITLE	Outside Drawing
P/NO.	307080224SS
USED ON	PMC10429-0100-2543V-80S000 V1.1
SCALE:	VER- VI.1

KINAYO MOTOR