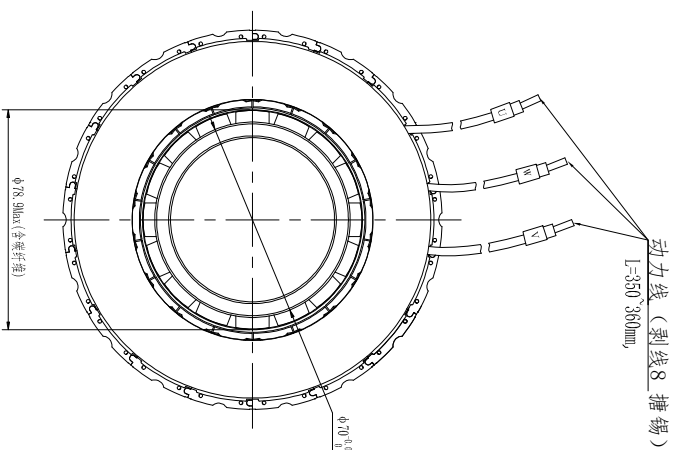
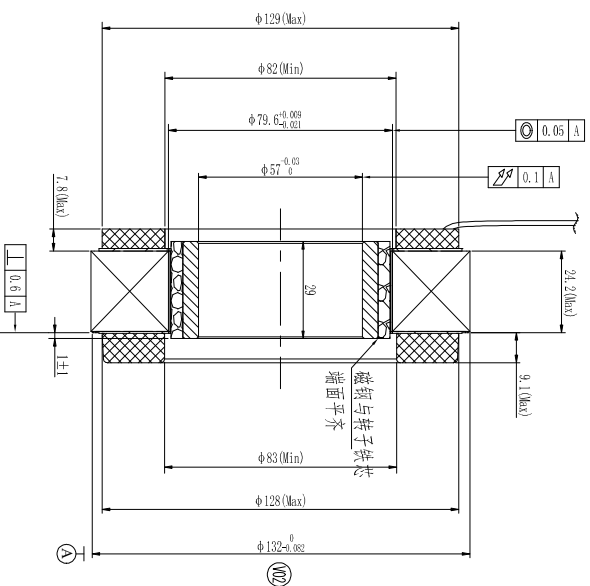


FUNCTION	COLOR
MOTOR U	BLUE (2.2MW)
MOTOR V	BROWN (2.2MW)
MOTOR W	PURPLE (2.2MW)

Power Wire



Technical Data

No. of poles	16
DC Link Voltage U_{dc} (DC Link)	48
Rated Power P_r (W)	1180
Rated Torque T_r (N·m)	3.5
Rated Speed n_r (rpm)	3220
Rated Current I_r (A)	29.2
Maximum torque T_m (N·m)	8.4
Maximum Current I_m (A)	70
Standstill torque T_s (N·m)	3.85
Standstill current I_s (A)	32.1
Resistance line-line R_L (mΩ)	$\pm 20\%$ 20 (at 25°C)
Inductance line-line L_L (mH)	$\pm 20\%$ 0.102
Electrical time constant τ_e (ms)	5.1
Mechanical time constant τ_m (ms)	0.801
Voltage constant K_e (V/(krpm))	$\pm 5\%$ 8
Torque constant K_t (Nm/A)	0.132
Rotor moment of inertia J_m (kg·cm ²)	4.05
Insulation class	F
Weight (kg)	2.01
Temperature Sensor	
Cooling method	Totally enclosed non-ventilated
Temperature	guarantee the measured winding temperature is between -20°C and 120°C
Humidity	Below 90%RH (No dewing)
Environment	For any active gas, combustible gas, oil drop, ash
Installation altitude	UP TO 1000m: rated power. above 1000m: 1.5% power decreasing per 100m, max. 4000m

Environmental conditions

DESIGN	DATE	P.N.
SL	19-12-27	307080355SS
CHECK		TITLE
WYD	19-12-27	Outside Drawing
APPD		FIG. NO.
ZZB	19-12-27	REV
		V1.0

技术要求:
定子引出线按GB/T 7345-2008要求:
对定子三相线, 每根引出线应能承受52.5N的拉力,
试验后, 引出线不能断开, 绝缘层和线芯不能损坏。

REV	ECN NO.	DRN	APPD	DATE	DESIGN	DATE	P.N.
					SL	19-12-27	307080355SS
UNLESS OTHERWISE SPECIFIED				CHECK			TITLE
TOLERANCES				WYD	19-12-27		Outside Drawing
DECIMALS:				APPD			FIG. NO.
x ±0.5				ZZB	19-12-27		REV
ANGULAR:							V1.0
xx ±0.25							
xxx ±0.1							
UNIT: mm							
DO NOT SCALE DRAWING							

KINAVO MOTOR