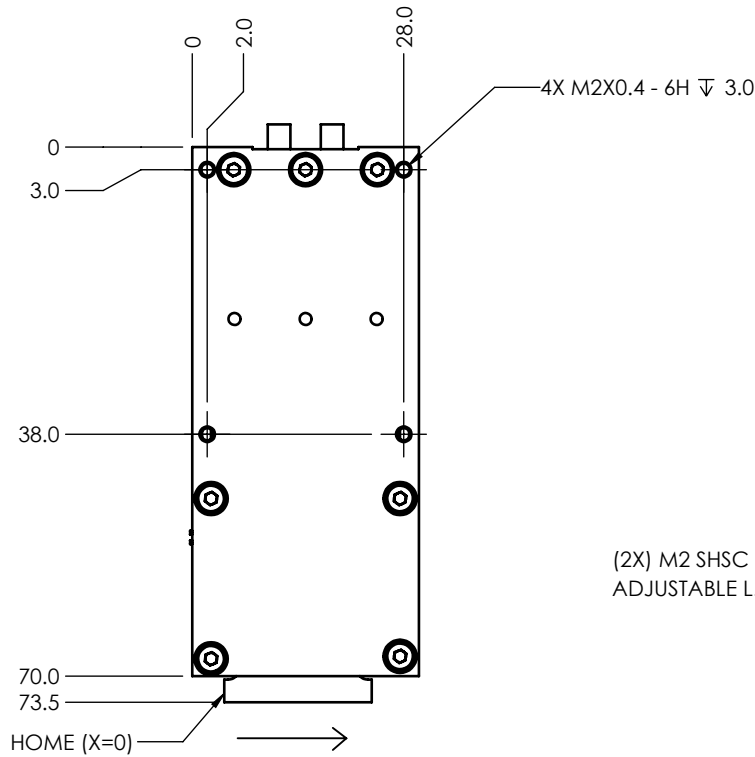
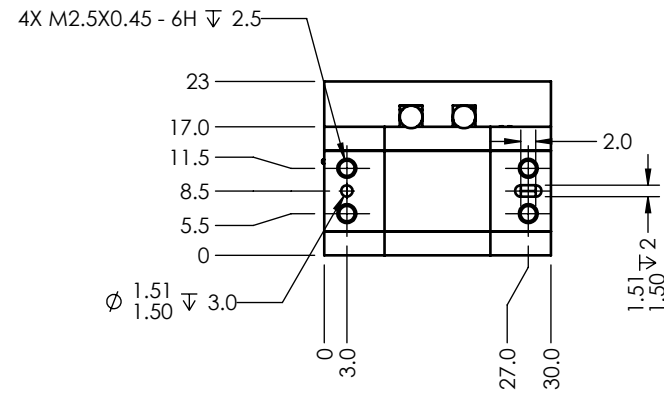


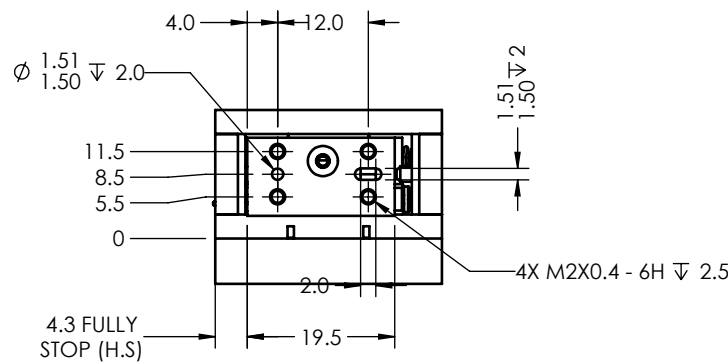
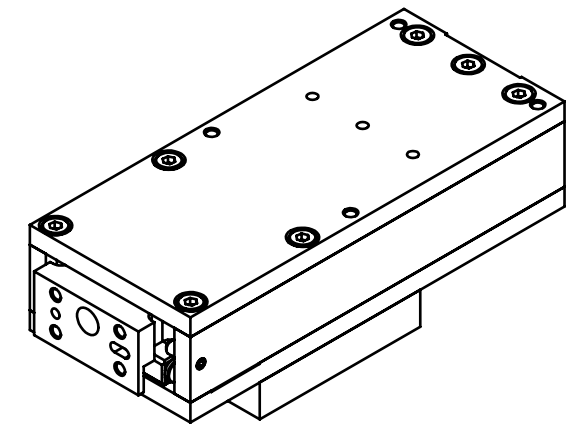
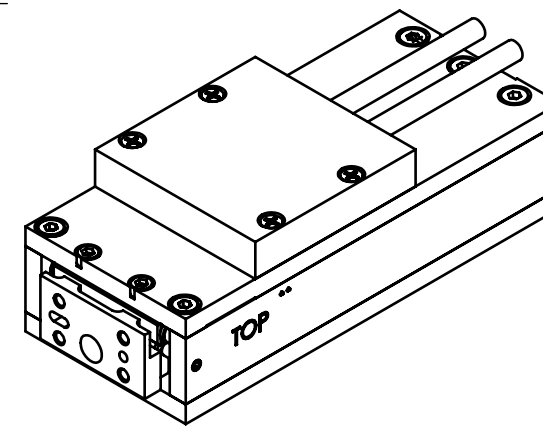
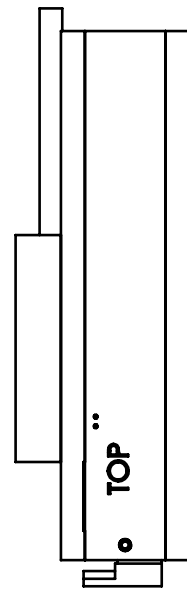
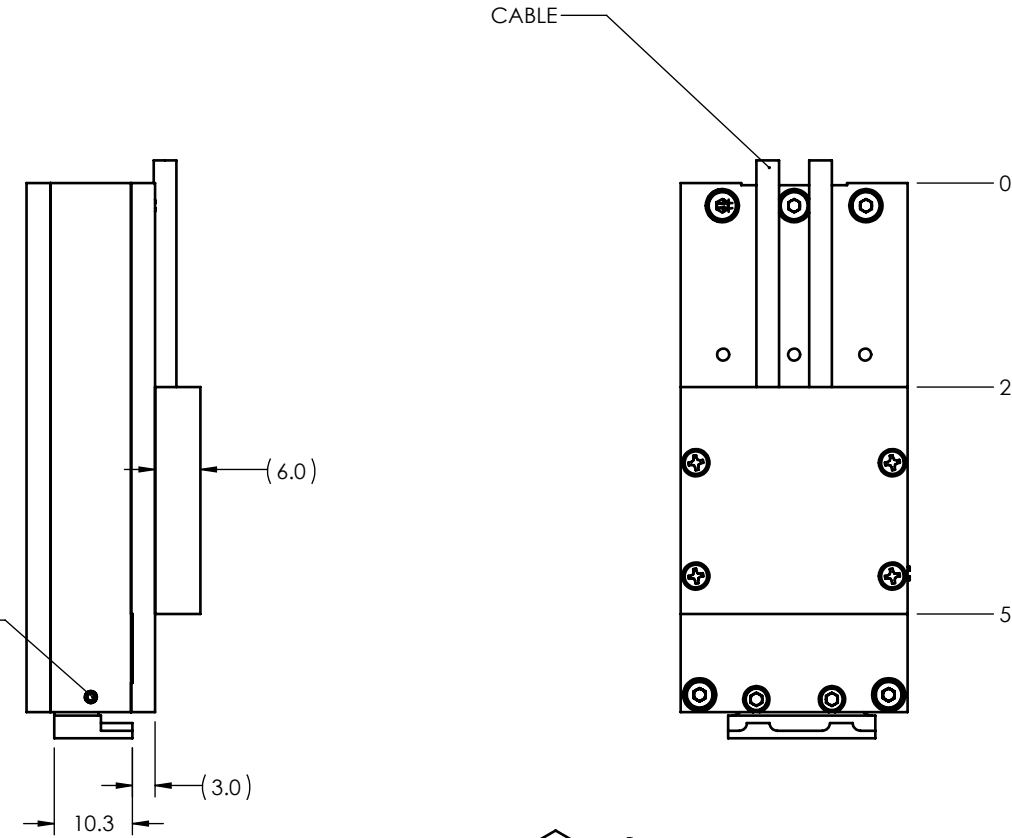
NOTES (UNLESS OTHERWISE SPECIFIED)

- 1. LINEAR SPECIFICATIONS:
 LINEAR STROKE: 5 mm
 ENC. RESOLUTION(+A/-A;+B/-B): 0.1um
 ENCODER REPEATABILITY: +/- 10 COUNTS
 INDEX LOCATION(+Z/-Z): 2.5 +/- 0.5 mm H.S
 OPERATING VOLTAGE: 24 Vdc
 COIL RESISTANCE: 14.5 Ohm
 COIL INDUCTANCE: 0.9 mH
 PEAK FORCE: 13.5 N @ 24Vdc, 1.4A
 FORCE CONSTANT: 9.6 N/A
 MOVING MASS: 0.028 kg
 TOTAL MASS: 0.170 kg
- 2. VACUUM OPTION: NO
- 3. SPRING OPTION: NO
- 4. OPERATING TEMPERATURE: 0°C TO 40°C
- 5. PLATING:

REVISIONS				
REV	ECR	DESCRIPTION	DATE	APPROVED
A	-	INITIAL RELEASE	5/12/2021	HE
B	-	UPDATED REVISION	7/20/2021	HE



(2X) M2 SHSC ADJUSTABLE L.STROKE



PIGTAIL	
PIN No	HDB-26P
1	(L) PH. A+
2	(L) PH. B+
3	(L) PH. Z+
4	NC
5	NC
6	NC
7	NC
8	NC
9	NC
10	(L) PH. A-
11	(L) PH. B-
12	(L) PH. Z-
13	NC
14	NC
15	NC
16	NC
17	NC
18	NC
19	+5 VDC
20	5V RTN
21	(L) MOTOR+
22	(L) MOTOR+
23	(L) MOTOR-
24	(L) MOTOR-
25	NC
26	NC

FLYING LEAD	
PIN No	DB-15P
1	PH. A+
2	PH. Z+
3	PH. B+
4	+5 Vdc
5	NC
6	NC
7	NC
8	NC
9	PH. A -
10	PH. Z -
11	PH. B -
12	5V RTN
13	NC
14	NC
15	NC

PIN No	PHOENIX. 6P
1	GND
2	+V
3	MOTOR+
4	MOTOR-
5	NC
6	GND

REF. NUMBER	LBS17-005
CONTRACT	LBS17-005

UNLESS OTHERWISE SPECIFIED
 ALL DIMENSIONS ARE IN MM
 BREAK EDGES AND REMOVE BURRS
 TOLERANCES
 X: ±0.5 X.X: ±0.1
 X.XX: ±0.03 ANGLE: ±0.1°
 CONCENTRICITY: ±0.025
 ROUNDNESS: ±0.025
 EDGE BREAKS: 0.2 MAX
 ALL DIMENSIONS AND TOLERANCES ARE FINAL

MATERIAL:		NAME	DATE
FINISH:		DWN BY	HE 5/12/2021
MACHINE FINISH:	1.6	CHK BY	TV 5/12/2021
INTERPRET PER:	ASME Y14.5-2009	ENG APP	
		MFG APP	
		QA APP	

PROPRIETARY AND CONFIDENTIAL	
THE INFORMATION CONTAINED IN THIS DRAWING IS THE SOLE PROPERTY OF SMAC. ANY REPRODUCTION IN PART OR AS A WHOLE WITHOUT THE WRITTEN PERMISSION OF SMAC IS PROHIBITED.	

SMAC		5807 VAN ALLEN WAY CARLSBAD CA, 92008 (760) 929-7588
MOVING COIL ACTUATORS		
TITLE: LBS17-005-52-2		
SIZE: B	PART NO: LBS17-005-52-2	REV: B
SCALE: 1:1 DO NOT SCALE		SHEET: 1 / 1