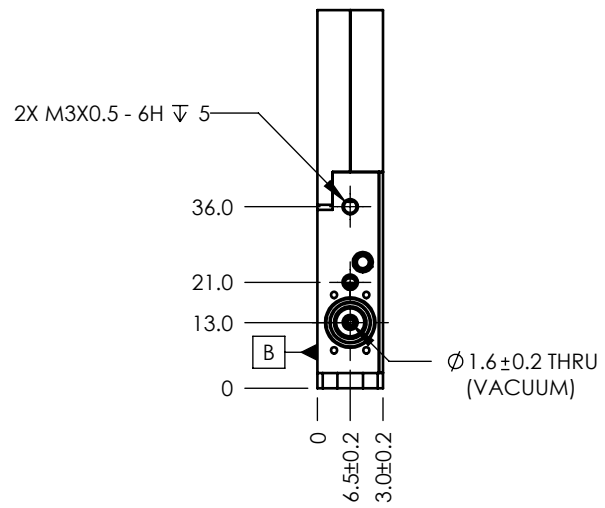
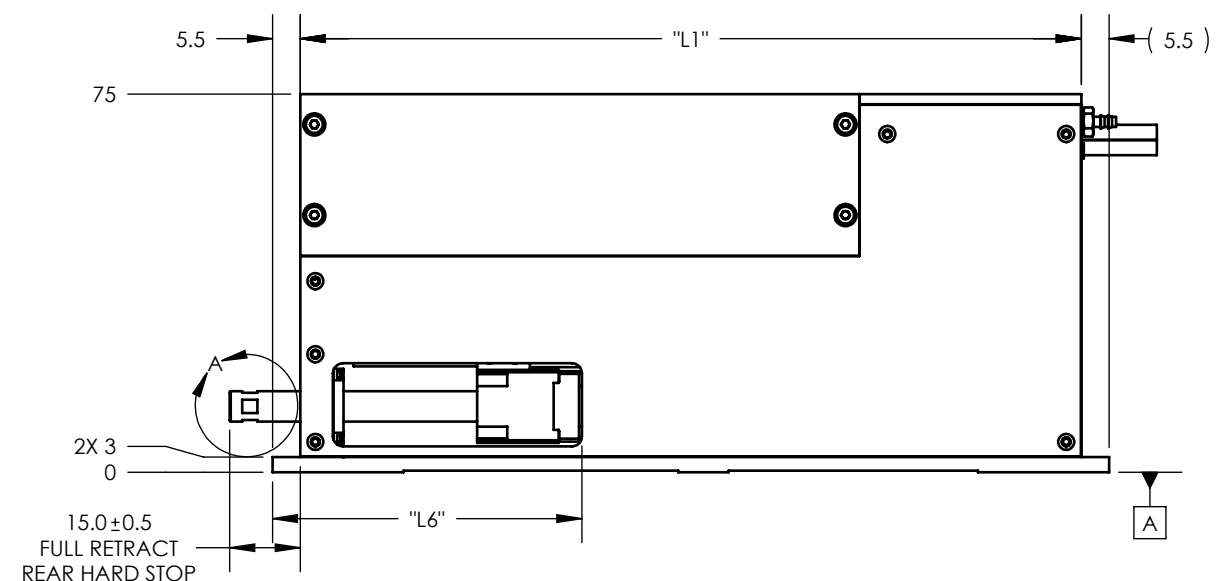
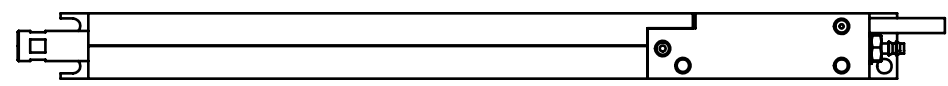


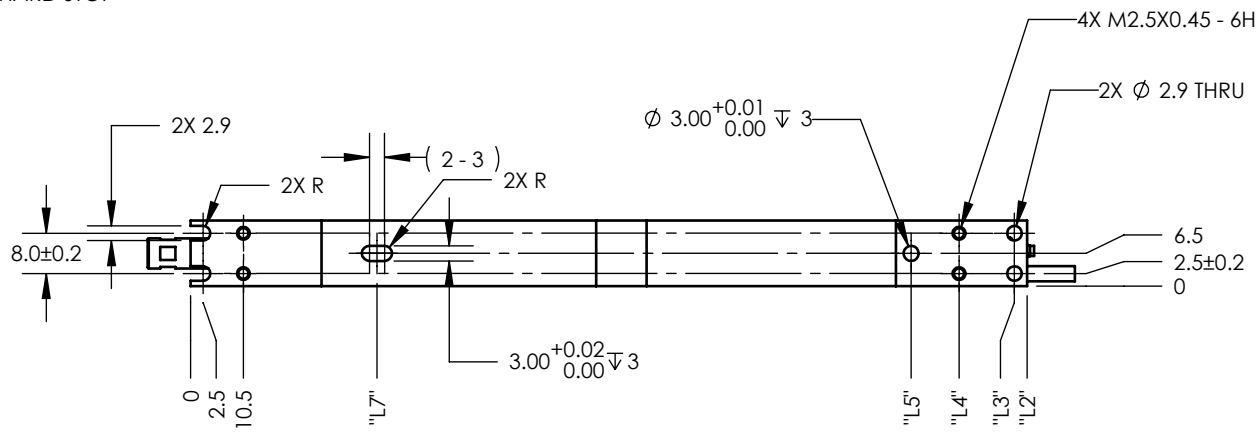
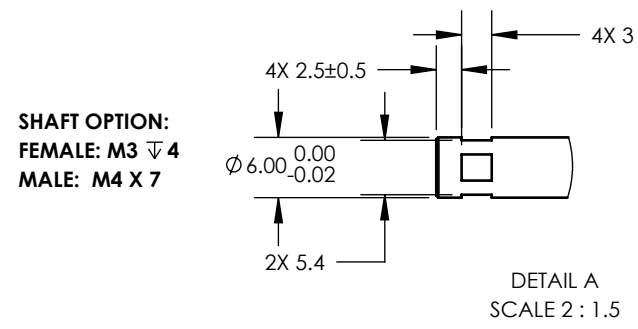
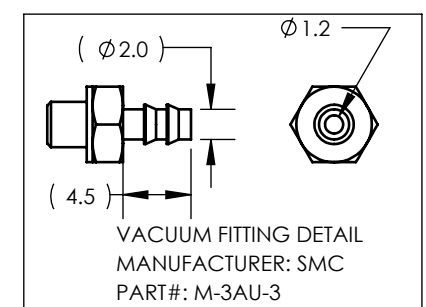
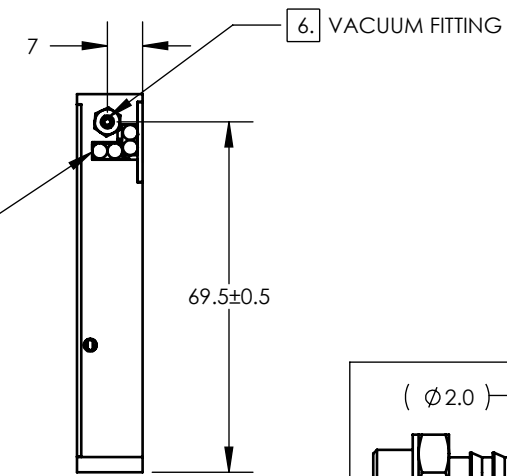
SPECIFICATIONS:

1. ENCODER INDEX: 2 ± 1mm FROM REAR STOP (LINEAR AXIS)
2. LINEAR POLE PITCH: 18.3mm (LINEAR AXIS)
3. OPERATING TEMPERATURE: 0°C TO 40°C
4. INNER FLUSH NOSE BUSHING
5. ALL DIMENSIONS ARE IN mm
6. ONLY FOR VACUUM OPTION

REVISIONS				
REV	ECR	DESCRIPTION	DATE	APPROVED
C	6739	REDRAWN	4/18/2019	TW



CABLE OPTION:
PIGTAIL (LG=0.5m) DB-26P
FLYING LEAD (LG=3m)
2x-DB-15P



PIGTAIL

1X (-6)		1X (-2)	
PIN No	DB-26P	PIN No	DB-26P
1	(L) PH. A+	1	(L) PH. A+
2	(L) PH. B+	2	(L) PH. B+
3	(L) PH. Z+	3	(L) PH. Z+
4	NC	4	NC
5	NC	5	(L) MOTOR+
6	NC	6	NC
7	NC	7	NC
8	NC	8	NC
9	NC	9	NC
10	(L) PH. A-	10	(L) PH. A-
11	(L) PH. B-	11	(L) PH. B-
12	(L) PH. Z-	12	(L) PH. Z-
13	NC	13	NC
14	NC	14	NC
15	NC	15	NC
16	NC	16	NC
17	NC	17	NC
18	NC	18	NC
19	+5 VDC	19	+5 VDC
20	5V RTN	20	5V RTN
21	NC	21	NC
22	(L) COIL (U)	22	(L) MOTOR+
23	(L) COIL (V)	23	(L) MOTOR -
24	(L) COIL (W)	24	(L) MOTOR -
25	NC	25	NC
26	NC	26	NC

FLYING LEAD

1X (-2 & -6)		1X (-2 & -6)	
PIN No	DB-15P	PIN No	PHOENIX. 6P
1	PH. A+	1	GND
2	PH. Z+	2	+V
3	PH. B+	3	MOTOR U (MOTOR +)
4	+5 Vdc	4	MOTOR V (MOTOR -)
5	NC	5	MOTOR W
6	NC	6	NC
7	NC		
8	NC		
9	PH. A -		
10	PH. Z -		
11	PH. B -		
12	5V RTN		
13	NC		
14	NC		
15	NC		

TABLE					
No	UNIT	DETAILS	LCA13-025-55-2	LCA13-035-15-6	LCA13-050-15-6
1	mm	LINEAR STROKE	25	35	50
2	N	PEAK FORCE	7	14	14
3	N/A	FORCE CONSTANT	2.5	9.4	9.4
4	micron	ENCODER RESOLUTION	5, 1	5, 1	5, 1
5	A	MAXIMUM CURRENT	3	1.5	1.5
6	Ohm	COIL RESISTANCE	8.1	13.5	13.5
7	mH	COIL INDUCTANCE	0.93	0.95	0.95
8	kg	MOVING MASS	0.080	0.120	0.125
9	kg	TOTAL MASS	0.400	0.520	0.600
10		VACUUM OPTION	YES	YES	YES
11		SPRING OPTION	YES	YES	YES
12	mm	DIMENSION L1	155	180	210
13	mm	DIMENSION L2	166	191	221
14	mm	DIMENSION L3	163.5	188.5	218.5
15	mm	DIMENSION L4	152.5	180.5	207.5
16	mm	DIMENSION L5	143	153	198.0
17	mm	DIMENSION L6	61.4±0.5	72.5±0.5	87.5±0.5
18	mm	DIMENSION L7	37	42.5	42.5

UNLESS OTHERWISE SPECIFIED:
ALL DIMENSIONS ARE IN MM
BREAK EDGES AND REMOVE BURRS

TOLERANCES
X: ±0.5 X.X: ±0.1
X.XX: ±0.03 ANGLE: ±0.1°
CONCENTRICITY: ±0.025
ROUNDNESS: ±0.025
EDGE BREAKS: 0.2 MAX
ALL DIMENSIONS AND TOLERANCES ARE FINAL

MATERIAL: SEE BOM
FINISH: SEE BOM
MACHINE FINISH: 1.6 ∇

INTERPRET PER: ASME Y14.5-2009
THIRD ANGLE PROJECTION

NAME: TW DATE: 4/18/2019
DWN BY: TW
CHK BY: TMV DATE: 4/18/2019
ENG APP: TMV
MFG APP: QA APP

PROPRIETARY AND CONFIDENTIAL

SMAC
MOVING COIL ACTUATORS
5807 VAN ALLEN WAY
CARLSBAD CA, 92008
(760) 929-7588

TITLE: LINEAR ACTUATOR

REF. NUMBER: LCA13 CONTRACT: STD

SIZE: B PART NO: LCA13-XXX-YY-Z REV: C
SCALE: 2:3 DO NOT SCALE SHEET: 1 / 1