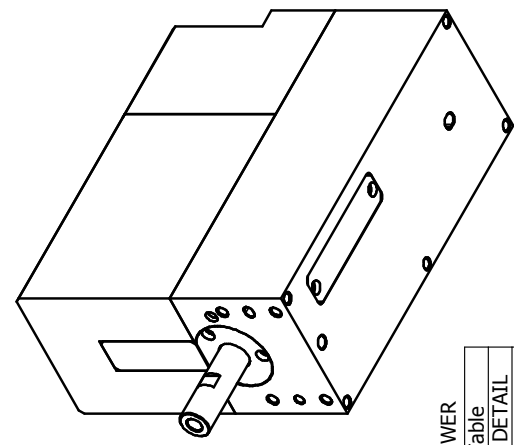
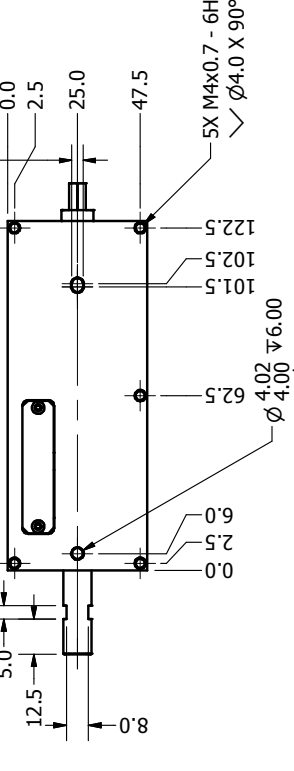
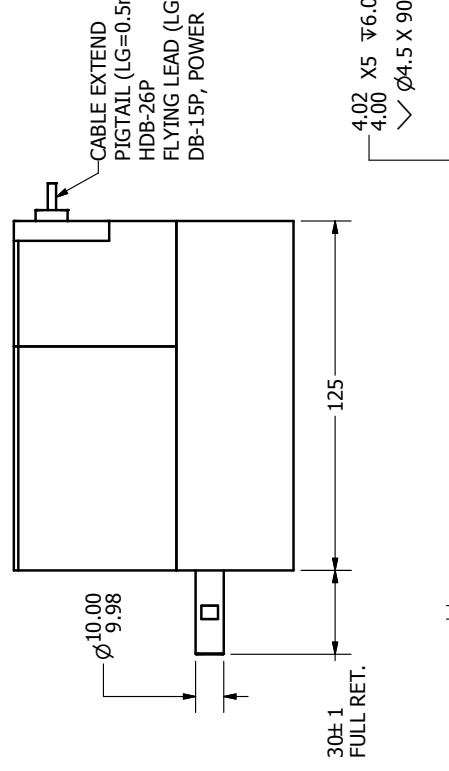


**LINEAR SPECIFICATIONS:**

LINEAR STROKE: 25 +1/-0 mm  
 PEAK FORCE: 50 N (48V@1.5A)  
 FORCE CONSTANT: 40 N/A@48V  
 COIL RESISTANCE: 32.8  
 INDUCTANCE: 81.7 mH  
 ENCODER RESOLUTION: 5,1,0,1 μm  
 ENCODER REPEATABILITY: ± 4 ENC. COUNTS  
 MOVING MASS: 0.335 kg  
 TOTAL MASS: 2.157 kg  
 OPERATING TEMPERATURE: 0°C TO 65°C  
 ALL DIMENSIONS ARE IN mm

**REVISION HISTORY**

REV	DATE	ECN	DESCRIPTION	APPROVED
A1	5/14/2010	4640	NEW RELEASE	MAC
C	10/6/11		M4 THD HOLES	MAC
C	10/10/14	5491	NEW PART #	



PIN	FUNCTION
1	PH. A+
2	PH. Z+
3	PH. B+
4	+5V
5	NC
6	NC
7	NC
8	NC
9	PH. A-
10	PH. Z-
11	PH. B-
12	5V RTN
13	5V RTN
14	NC
15	NC

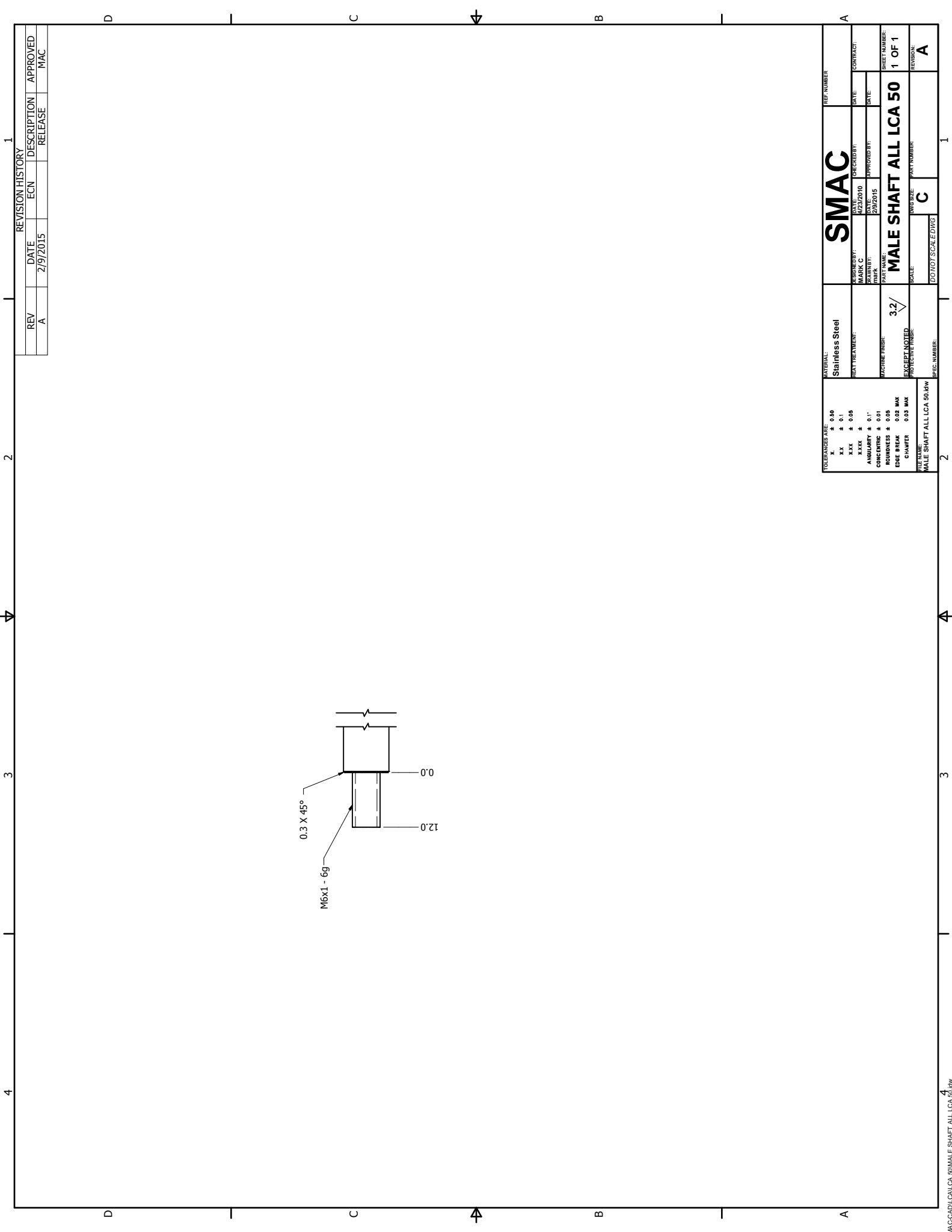
Table	No	DETAIL
1	1	V RTN
2	2	+ V
3	3	COIL +
4	4	COIL -

**SMAC**

REF. NUMBER: LCA 50  
 CONTRACT: LCA 50  
 DATE: 4/5/2010  
 CHECKED BY: MARK C  
 DATE: 10/10/2014  
 APPROVED BY: [Signature]  
 PART NAME: LCA 50-025-75-1  
 PART NUMBER: LCA 50-025-75-1  
 DWG SIZE: B  
 SCALE: NONE  
 DO NOT SCALE DWG

TOLERANCES ARE:  
 X. ± 0.50  
 X.X ± 0.1  
 X.XX ± 0.05  
 X.XXX ± 0.1  
 ANGULARITY ± 0.1  
 CONCENTRIC ± 0.1  
 ROUNDNESS ± 0.05  
 EDGE BREAK 0.02 MAX  
 CHAMFER 0.03 MAX

EXCEPT NOTED PROTECTIVE FINISH: 3.2  
 FILE NAME: LCA50-025-75-1.dwg  
 SPEC. NUMBER: NONE



0.3 X 45°

M6x1 - 6g

12.0

0.0

REV	DATE	ECN	DESCRIPTION	APPROVED
A	2/9/2015		RELEASE	MAC

REVISION HISTORY

<p>TOLERANCES ARE:</p> <p>F ± 0.00</p> <p>XX ± 0.1</p> <p>XX ± 0.05</p> <p>XXX ± 0.1</p> <p>ANGULARITY ± 0.1°</p> <p>CONCENTRIC ± 0.01</p> <p>ROUNDNESS ± 0.05</p> <p>EDGE BREAK 0.02 MAX</p> <p>CHAMFER 0.03 MAX</p> <p>FINISHES:</p> <p>MALE SHAFT ALL LCA 50,10W</p>		<p>MATERIAL:</p> <p>Stainless Steel</p> <p>HEAT TREATMENT:</p> <p>3.2/</p> <p>EXCEPT NOTED PROTECTIVE FINISH</p>	<p>SMAC</p> <p>DESIGNED BY: MASON G. BROWN</p> <p>DRAWN BY: MASON G. BROWN</p> <p>CHECKED BY: MASON G. BROWN</p> <p>DATE: 02/09/2010</p> <p>DATE: 2/9/2015</p> <p>DATE: 2/9/2015</p> <p>DATE: 2/9/2015</p>	<p>REF. NUMBER</p> <p>CONTRACT:</p> <p>SHEET NUMBER:</p> <p>1 OF 1</p> <p>REVISION:</p> <p>A</p>
---	--	--	--	--