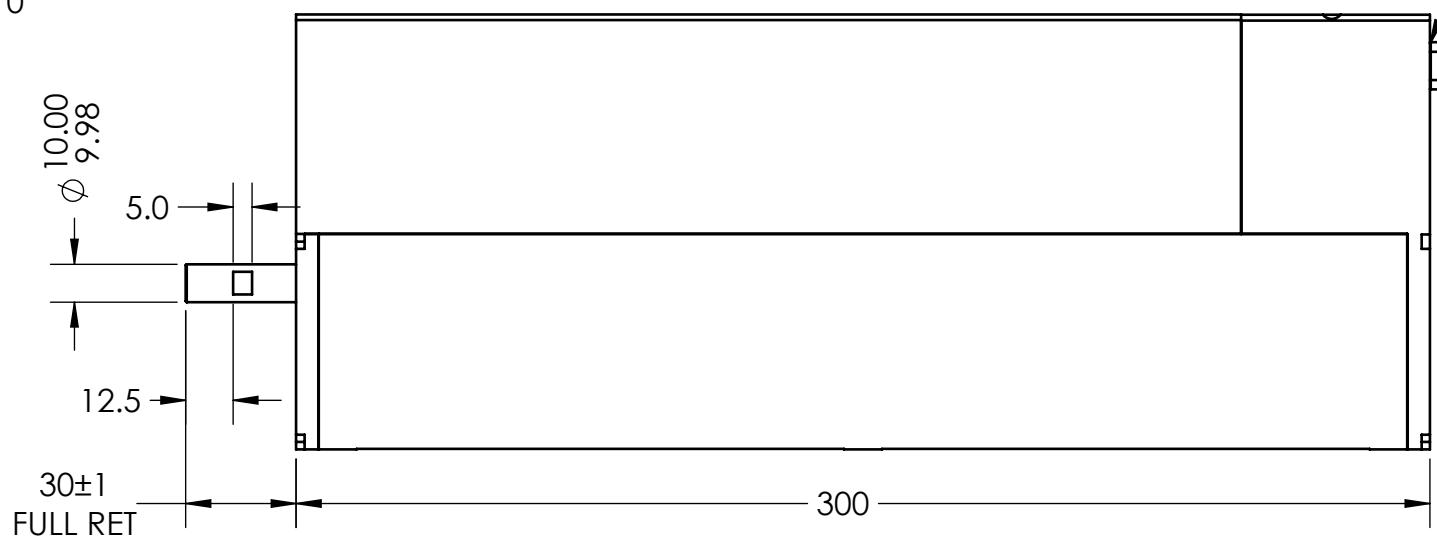
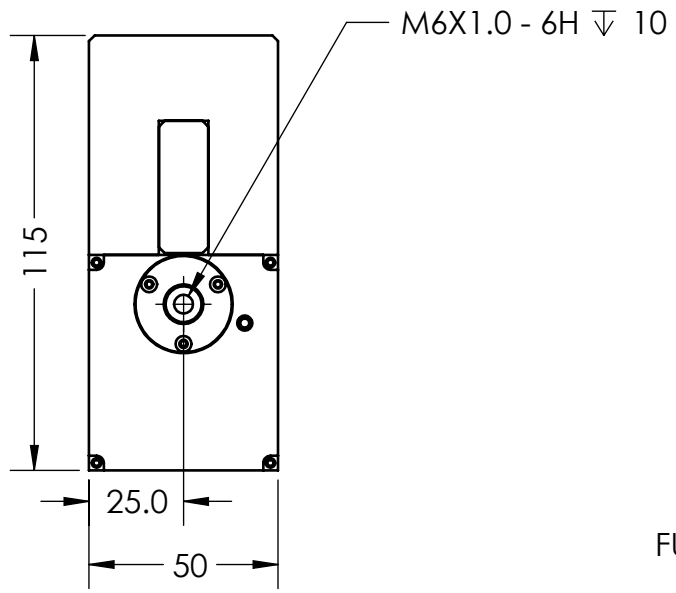


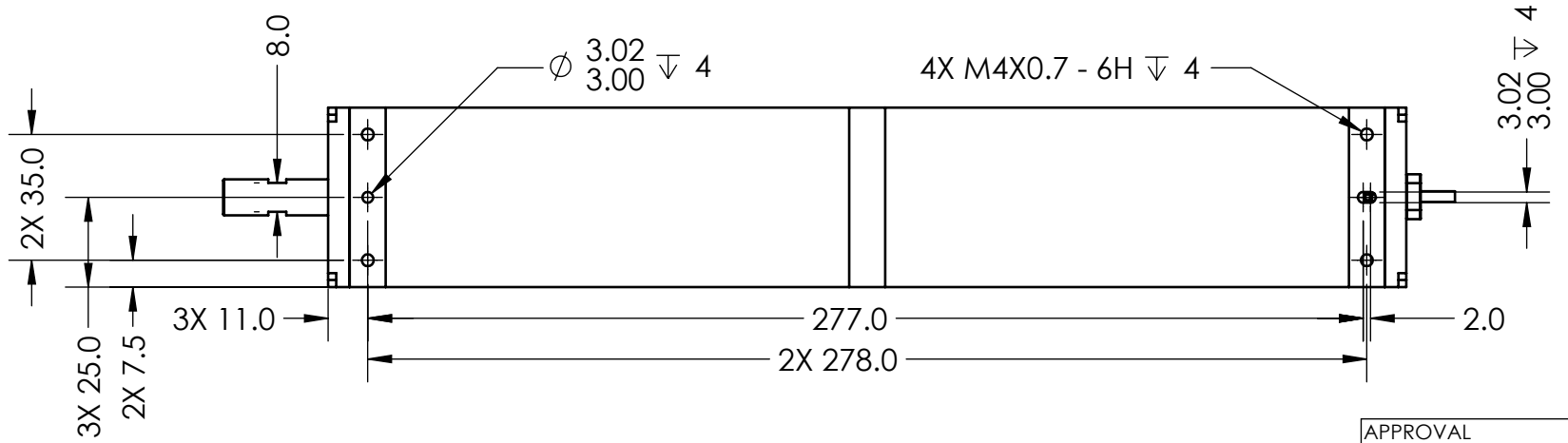
NOTES (UNLESS OTHERWISE SPECIFIED)

- 1. LINEAR SPECIFICATIONS:
 LINEAR STROKE: 100 mm
 ENC. RESOLUTION(+A/-A;+B/-B): 20, 5, 1, 0.1um
 ENCODER REPEATABILITY: ±4 ENCODER COUNT
 COIL RESISTANCE: 28 Ohm
 PEAK FORCE: 90 N @ 1.7A (48Vdc)
 FORCE CONSTANT: 67 N/A
 MOVING MASS: 0.66 kg
 TOTAL MASS: 5.7 kg
- 2. OPERATING TEMPERATURE: 0°C TO 40°C

REVISIONS				
REV	ECR	DESCRIPTION	DATE	APPROVED
A		NEW RELEASE	10/28/2010	ORAMAS
B		M.MASS CHG	10/28/2010	ORAMAS
C	7541	CORRECTED PEAK FORCE 90N	4/13/2021	DL



CABLE EXTEND
 3M LENGTH
 DB-26P/
 FLYING LEAD



PIN No	HDB-26P
1	(L) PH. A+
2	(L) PH. B+
3	(L) PH. Z+
4	NC
5	NC
6	NC
7	NC
8	NC
9	NC
10	(L) PH. A-
11	(L) PH. B-
12	(L) PH. Z-
13	NC
14	NC
15	NC
16	NC
17	NC
18	NC
19	+5 VDC
20	5V RTN
21	NC
22	L. COIL (U)
23	L. COIL (V)
24	L.COIL (W)
25	NC
26	NC

PIN No	DB-15P
1	PH. A+
2	PH. Z+
3	PH. B+
4	+5 Vdc
5	NC
6	NC
7	NC
8	NC
9	PH. A -
10	PH. Z -
11	PH. B -
12	5V RTN
13	NC
14	NC
15	NC

PIN No	PHOENIX. 6P
1	GND
2	+V
3	MOTOR U (MOTOR+)
4	MOTOR V (MOTOR-)
5	MOTOR W
6	NC

SIGNATURE NEEDED FOR ORDER APPROVAL
 SIGN: _____ DATE: _____
 APPROVAL NOT RECIEVED WITHIN
 48 HOURS MAY AFFECT DELIVERY

APPROVAL

REF. NUMBER	LCA50-100
CONTRACT	STD

UNLESS OTHERWISE SPECIFIED
 ALL DIMENSIONS ARE IN MM
 BREAK EDGES AND REMOVE BURRS
 TOLERANCES
 X: ±0.5 X.X: ±0.1
 X.XX: ±0.03 ANGLE: ±0.1°
 CONCENTRICITY: ±0.025
 ROUNDNESS: ±0.025
 EDGE BREAKS: 0.2 MAX
 ALL DIMENSIONS AND TOLERANCES
 ARE FINAL

MATERIAL:
 SEE BOM
 FINISH:
 SEE BOM
 MACHINE FINISH:
 1.6
 INTERPRET PER:
 ASME Y14.5-2009
 THIRD ANGLE
 PROJECTION

NAME	DATE
DL	04/13/21
TMV	
MFG APP	
QA APP	

SMAC 5807 VAN ALLEN WAY
 CARLSBAD CA, 92008
 (760) 929-7588

MOVING COIL ACTUATORS

TITLE:
LCA50-100

SIZE: B PART NO:
LCA50-100-3X-F REV: **C**

SCALE: 1:5 **DO NOT SCALE** SHEET: 1 / 1