

NOTES (UNLESS OTHERWISE SPECIFIED)

1. LINEAR SPECIFICATIONS:

- LINEAR STROKE: 10 +1 / 0 mm
- ENC. RESOLUTION(+A/-A;+B/-B): 5, 1 um
- ENCODER REPEATABILITY: ± 4 COUNTS
- INDEX LOCATION(+Z/-Z): 2±1 mm FROM REAR STOP
- OPERATING VOLTAGE: 24 Vdc
- COIL RESISTANCE: 13.1 Ohm
- PEAK FORCE: 3.8 N @ 24 Vdc
- FORCE CONSTANT: 2.3 N/A
- MOVING MASS: 0.024 kg
- TOTAL MASS: 0.15 kg

2. VACUUM OPTION: YES

3. SPRING OPTION: YES

4. SHAFT OPTION: MALE, M4X0.7 - 8mm LENGTH

5. OPERATING TEMPERATURE: 0°C TO 40°C

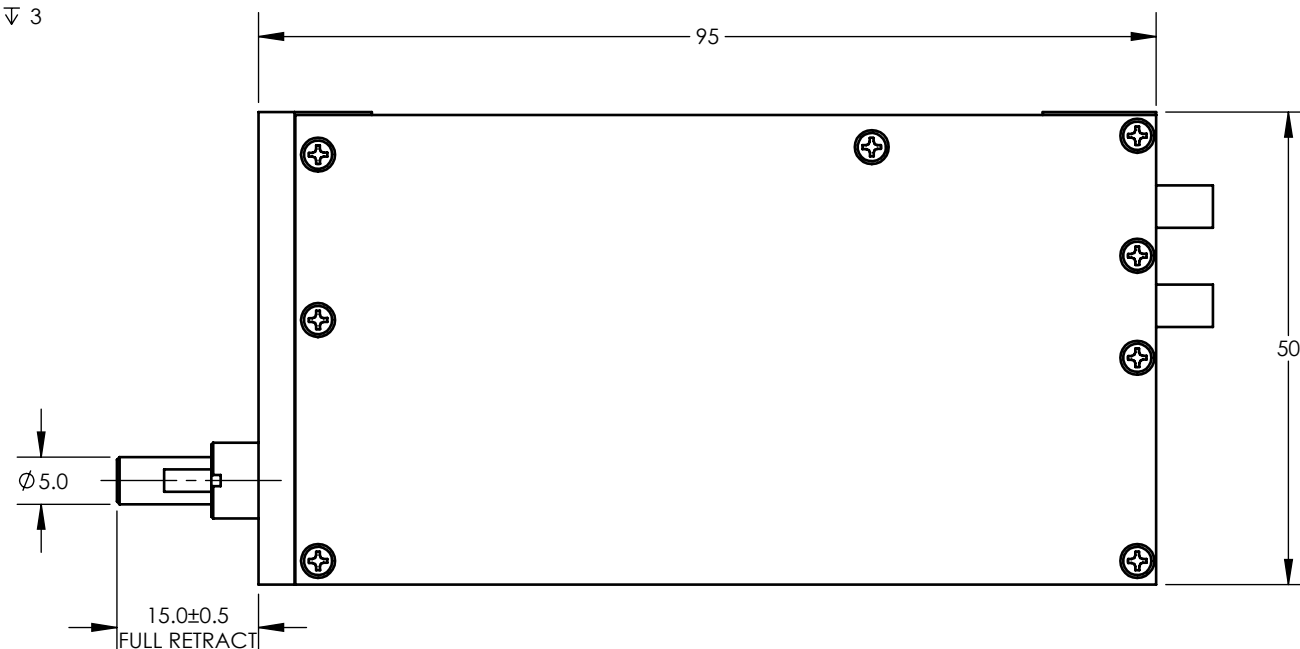
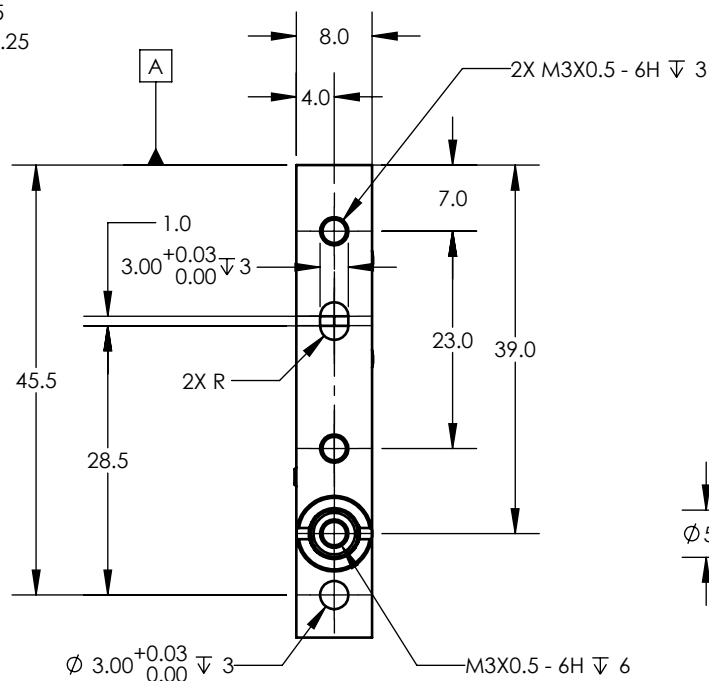
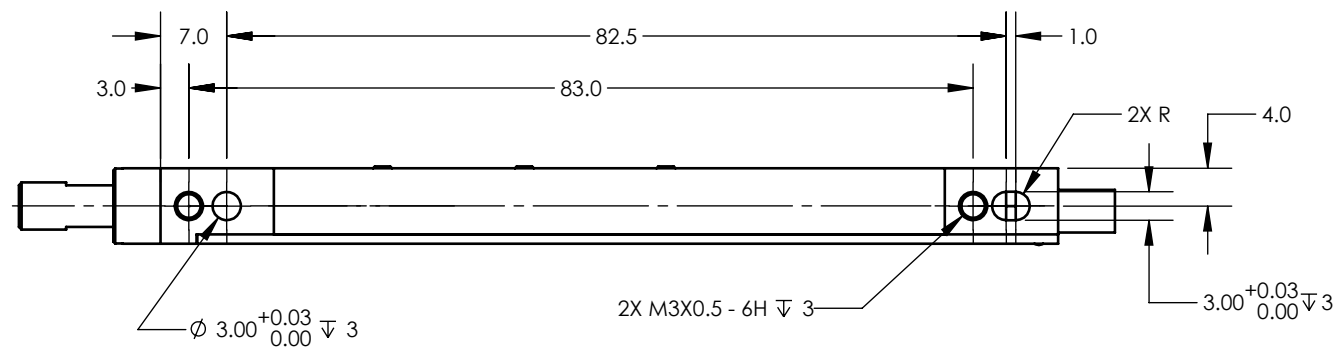
6. PLATING: BLACK COATING

7. TOLERANCES

X.: ±0.5

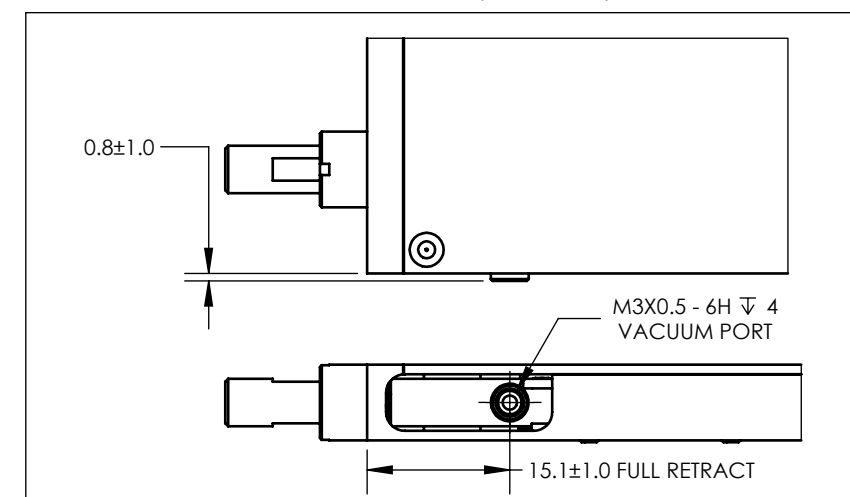
X.X: ±0.25

REVISIONS				
REV	ECR	DESCRIPTION	DATE	APPROVED
A	-	INITIAL RELEASE	2/18/2021	HE
B	7897	ADDED VACUUM OPTION, UPDATED SPEC.	5/26/2022	TW



CABLE EXT.
PIGTAIL (LG=0.5m) DB-26P
FLYING LEAD (LG=3m) DB-15,
POWER

VACUUM OPTION (CROP VIEW)



PIG TAIL

PIN No	HDB-26P
1	(L) PH. A+
2	(L) PH. B+
3	(L) PH. Z+
4	NC
5	NC
6	NC
7	NC
8	NC
9	NC
10	(L) PH. A-
11	(L) PH. B-
12	(L) PH. Z-
13	NC
14	NC
15	NC
16	NC
17	NC
18	NC
19	+5 VDC
20	5V RTN
21	(L) MOTOR+
22	(L) MOTOR+
23	(L) MOTOR-
24	(L) MOTOR-
25	NC
26	NC

FLYING LEAD

PIN No	DB-15P
1	(L) PH. A+
2	(L) PH. Z+
3	(L) PH. B+
4	+5 VDC
5	NC
6	NC
7	NC
8	NC
9	(L) PH. A-
10	(L) PH. Z-
11	(L) PH. B-
12	5V RTN
13	NC
14	NC
15	NC

PIN No	PHOENIX. 6P
1	GND
2	+V
3	MOTOR +
4	MOTOR -
5	NC
6	NC

<p>UNLESS OTHERWISE SPECIFIED</p> <p>ALL DIMENSIONS ARE IN MM</p> <p>BREAK EDGES AND REMOVE BURRS</p> <p>TOLERANCES</p> <p>X.: ±0.5 X.X: ±0.1</p> <p>X.XX: ±0.03 ANGLE: ±0.1°</p> <p>CONCENTRICITY: ±0.025</p> <p>ROUNDNESS: ±0.025</p> <p>EDGE BREAKS: 0.2 MAX</p> <p>ALL DIMENSIONS AND TOLERANCES ARE FINAL</p>	<p>MATERIAL: SEE BOM</p> <p>FINISH: SEE BOM</p> <p>MACHINE FINISH:</p> <p>INTERPRET PER: ASME Y14.5-2009</p>	<table border="1"> <tr><th>NAME</th><th>DATE</th></tr> <tr><td>HE</td><td>2/18/2021</td></tr> <tr><th>CHK BY</th><th>ENG APP</th></tr> <tr><td>TV</td><td>2/18/2021</td></tr> <tr><th>MFG APP</th><th>QA APP</th></tr> <tr><td></td><td></td></tr> </table>	NAME	DATE	HE	2/18/2021	CHK BY	ENG APP	TV	2/18/2021	MFG APP	QA APP			<p>SMAC</p> <p>5807 VAN ALLEN WAY CARLSBAD CA, 92008 (760) 929-7588</p> <p>MOVING COIL ACTUATORS</p> <p>TITLE: LINEAR ACTUATOR</p>
	NAME	DATE													
	HE	2/18/2021													
	CHK BY	ENG APP													
TV	2/18/2021														
MFG APP	QA APP														
<table border="1"> <tr><th>REF. NUMBER</th><td>LCA8-010</td></tr> <tr><th>CONTRACT</th><td>STD</td></tr> </table>	REF. NUMBER	LCA8-010	CONTRACT	STD	<p>THE INFORMATION CONTAINED IN THIS DRAWING IS THE SOLE PROPERTY OF SMAC. ANY REPRODUCTION IN PART OR AS A WHOLE WITHOUT THE WRITTEN PERMISSION OF SMAC IS PROHIBITED.</p>	<p>PROPRIETARY AND CONFIDENTIAL</p>	<p>SIZE: B PART NO: LCA8-010-5X-2 REV: B</p> <p>SCALE: 1.25:1 DO NOT SCALE SHEET: 1 / 1</p>								
REF. NUMBER	LCA8-010														
CONTRACT	STD														