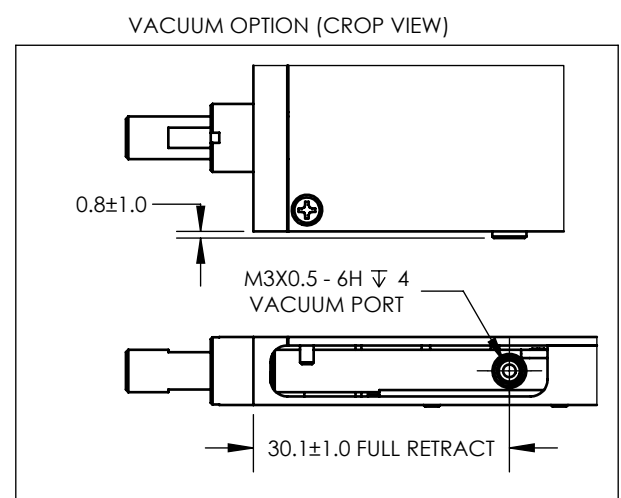
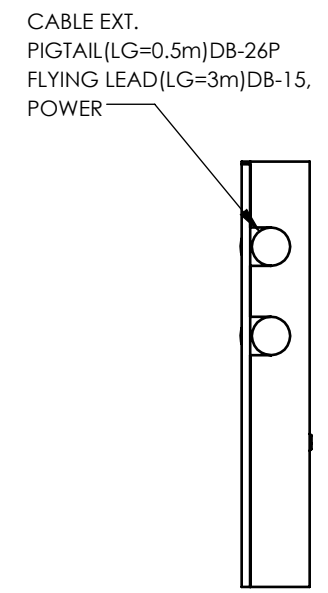
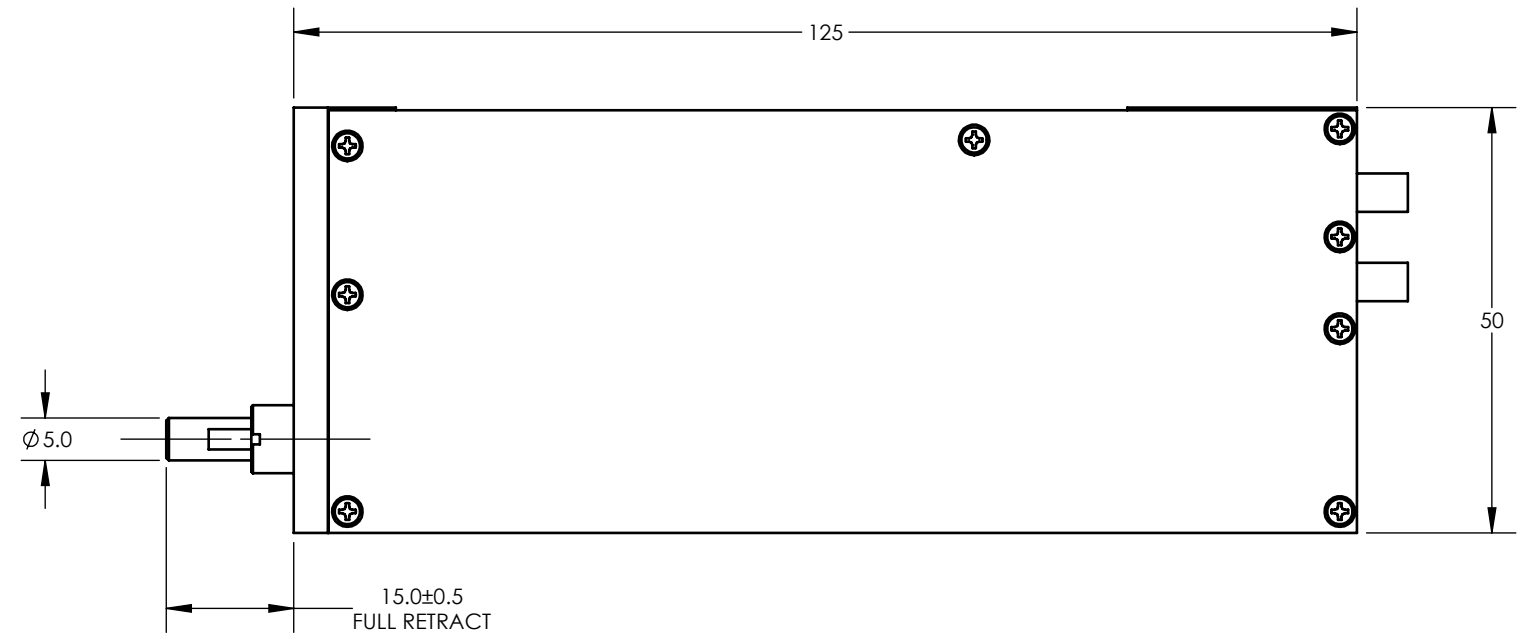
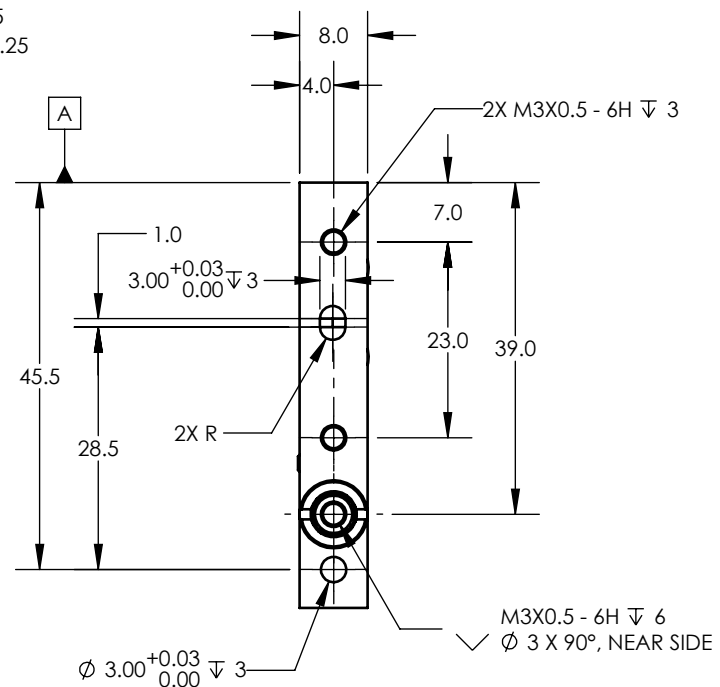
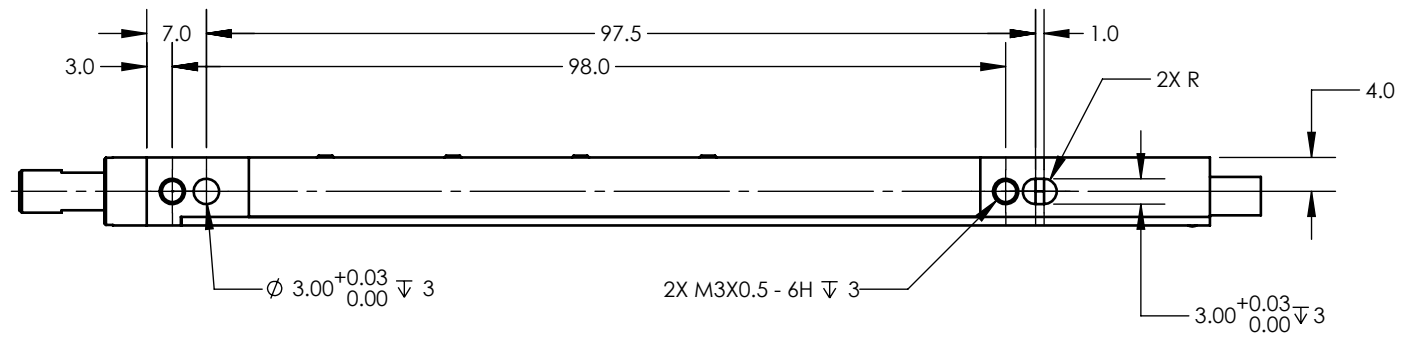


NOTES (UNLESS OTHERWISE SPECIFIED)

- 1. LINEAR SPECIFICATIONS:
 LINEAR STROKE: 25 +1 / 0 mm
 ENC. RESOLUTION(+A/-A;+B/-B): 5, 1 um
 ENCODER REPEATABILITY: ± 4 COUNTS
 INDEX LOCATION(+Z/-Z): 2±1 mm FROM REAR STOP
 POLE PITCH: 16.2 mm
 OPERATING VOLTAGE: 24 Vdc
 COIL RESISTANCE: 15 Ohm / PHASE
 PEAK FORCE: 2.6 N @ 24 Vdc
 FORCE CONSTANT: 2.2 N/A
 MOVING MASS: 0.029 kg
 TOTAL MASS: 0.22 kg
- 2. VACUUM OPTION: YES
- 3. SPRING OPTION: YES
- 4. SHAFT OPTION: MALE, M4X0.7 - 8mm LENGTH
- 5. OPERATING TEMPERATURE: 0°C TO 40°C
- 6. PLATING: BLACK COATING
- 7. TOLERANCES
 X.: ±0.5
 X.X: ±0.25

REVISIONS				
REV	ECR	DESCRIPTION	DATE	APPROVED
A	-	INITIAL RELEASE	7/13/2021	HE
B	7897	ADDED VACUUM OPTION, UPDATED SPEC.	5/26/2022	TW



PIGTAIL

PIN No	HDB-26P
1	(L) PH. A+
2	(L) PH. B+
3	(L) PH. Z+
4	NC
5	NC
6	NC
7	NC
8	NC
9	NC
10	(L) PH. A-
11	(L) PH. B-
12	(L) PH. Z-
13	NC
14	NC
15	NC
16	NC
17	NC
18	NC
19	+5 VDC
20	5V RTN
21	NC
22	L. COIL (U)
23	L. COIL (V)
24	L. COIL (W)
25	NC
26	NC

FLYING LEAD

PIN No	DB-15P
1	PH. A+
2	PH. Z+
3	PH. B+
4	+5 Vdc
5	NC
6	NC
7	NC
8	NC
9	PH. A -
10	PH. Z -
11	PH. B -
12	5V RTN
13	NC
14	NC
15	NC

PIN No	PHOENIX. 6P
1	GND
2	+V
3	MOTOR U
4	MOTOR V
5	MOTOR W
6	GND

UNLESS OTHERWISE SPECIFIED
 ALL DIMENSIONS ARE IN MM
 BREAK EDGES AND REMOVE BURRS
 TOLERANCES
 X: ±0.5 X.X: ±0.1
 X.XX: ±0.03 ANGLE: ±0.1°
 CONCENTRICITY: ±0.025
 ROUNDNESS: ±0.025
 EDGE BREAKS: 0.2 MAX
 ALL DIMENSIONS AND TOLERANCES ARE FINAL

MATERIAL: SEE BOM
 FINISH: SEE BOM
 MACHINE FINISH:
 INTERPRET PER: ASME Y14.5-2009
 THIRD ANGLE PROJECTION

NAME: HE DATE: 7/13/2021
 DWN BY: HE
 CHK BY: TV
 ENG APP: TV
 MFG APP: TV
 QA APP: TV

SMAC 5807 VAN ALLEN WAY CARLSBAD CA, 92008 (760) 929-7588
 MOVING COIL ACTUATORS
LINEAR ACTUATOR
 PART NO: B LCA8-025-1X-3
 SCALE: 1.125:1 DO NOT SCALE SHEET: 1 / 1

REF. NUMBER	LCA8-025
CONTRACT	STD