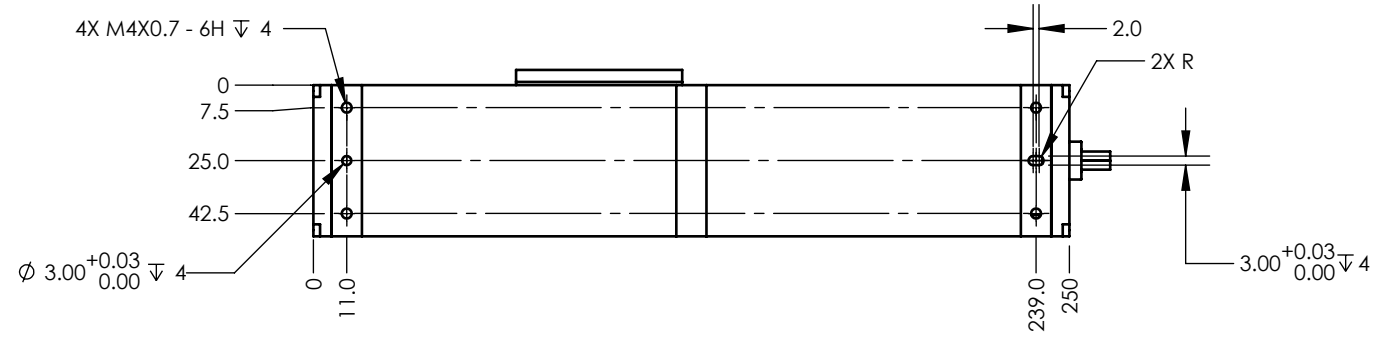
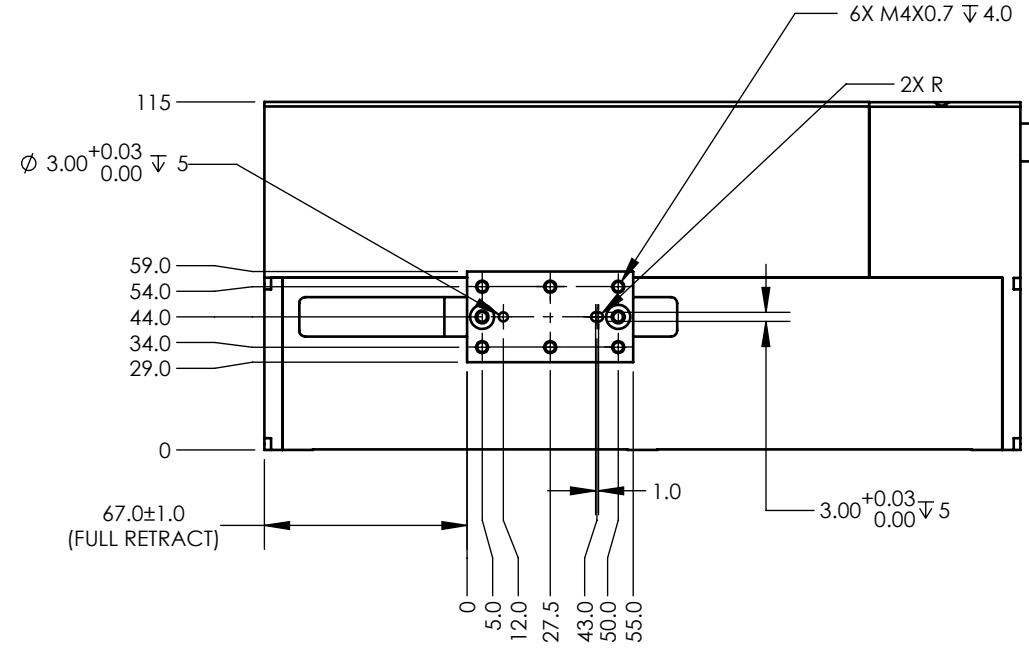
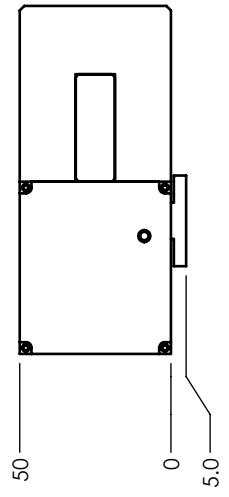


REVISIONS				
REV	ECR	DESCRIPTION	DATE	APPROVED
C	7608	ADDED SLIDER, REDRAWN	6/30/2021	TW

NOTES (UNLESS OTHERWISE SPECIFIED)

1. LINEAR SPECIFICATIONS:
 LINEAR STROKE: 50 +1.5/0 mm
 ENC. RESOLUTION(+A/-A;+B/-B): 5, 1, 0.1 um
 ENCODER REPEATABILITY: ± 4 COUNTS
 INDEX LOCATION(+Z/-Z): 2±0.5 mm FROM REAR STOP
 OPERATING VOLTAGE: 48 Vdc
 COIL RESISTANCE: 28 Ohm
 PEAK FORCE: 90 N @ 1.7 A
 FORCE CONSTANT: 67 N/A
 MOVING MASS: 0.608 kg
 TOTAL MASS: 5.0 kg
2. VACUUM OPTION: NO
3. SPRING OPTION: YES
4. OPERATING TEMPERATURE: 0°C TO 65°C
5. TOLERANCES
 X.: ±0.5
 X.X: 0.25



PIGTAIL

PIN No	HDB-26P
1	(L) PH. A+
2	(L) PH. B+
3	(L) PH. Z+
4	NC
5	NC
6	NC
7	NC
8	NC
9	NC
10	(L) PH. A-
11	(L) PH. B-
12	(L) PH. Z-
13	NC
14	NC
15	NC
16	NC
17	NC
18	NC
19	+5 VDC
20	5V RTN
21	NC
22	L. COIL (U)
23	L. COIL (V)
24	L. COIL (W)
25	NC
26	NC

FLYING LEAD

PIN No	DB-15P
1	PH. A+
2	PH. Z+
3	PH. B+
4	+5 Vdc
5	NC
6	NC
7	NC
8	NC
9	PH. A -
10	PH. Z -
11	PH. B -
12	5V RTN
13	NC
14	NC
15	NC

PHOENIX. 6P

PIN No	PHOENIX. 6P
1	GND
2	+V
3	MOTOR U
4	MOTOR V
5	MOTOR W
6	NC

UNLESS OTHERWISE SPECIFIED
 ALL DIMENSIONS ARE IN MM
 BREAK EDGES AND REMOVE BURRS
 TOLERANCES
 X: ±0.5 X.X: ±0.1
 X.XX: ±0.03 ANGLE: ±0.1°
 CONCENTRICITY: ±0.025
 ROUNDNESS: ±0.025
 EDGE BREAKS: 0.2 MAX
 ALL DIMENSIONS AND TOLERANCES ARE FINAL

MATERIAL: SEE BOM
 FINISH: SEE BOM
 MACHINE FINISH: 1.6
 INTERPRET PER: ASME Y14.5-2009
 THIRD ANGLE PROJECTION

NAME: TW DATE: 6/30/2021
 DWN BY: TW
 CHK BY: TMV 6/30/2021
 ENG APP: TMV 6/30/2021
 MFG APP: QA APP

SMAC 5807 VAN ALLEN WAY CARLSBAD CA, 92008 (760) 929-7588
MOVING COIL ACTUATORS
LINEAR SLIDE
 SIZE: B PART NO: LCS50-050-3X-6 REV: C
 SCALE: 2:5 DO NOT SCALE SHEET: 1 / 1

REF. NUMBER	LCS50-050
CONTRACT	STD