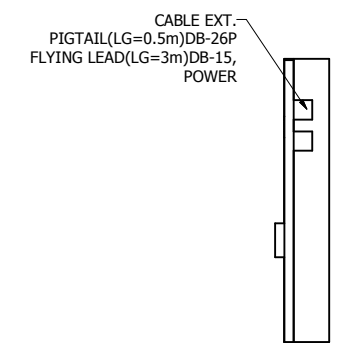
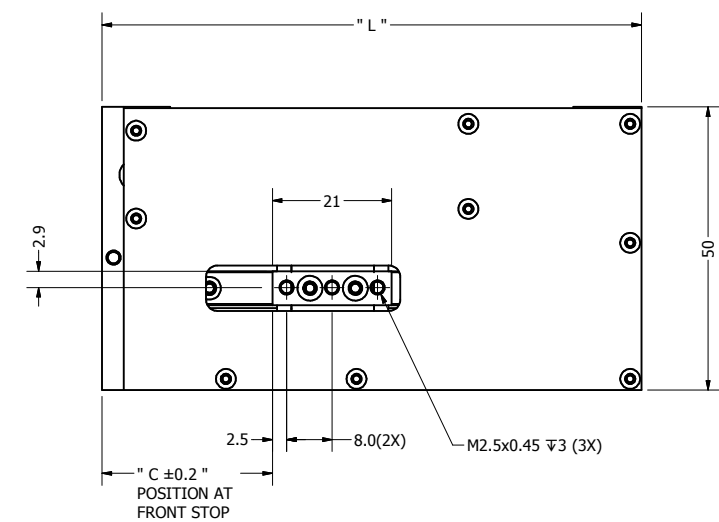
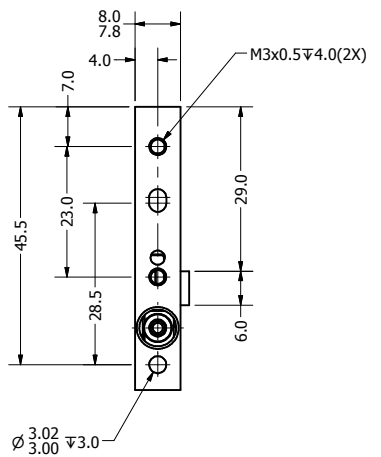
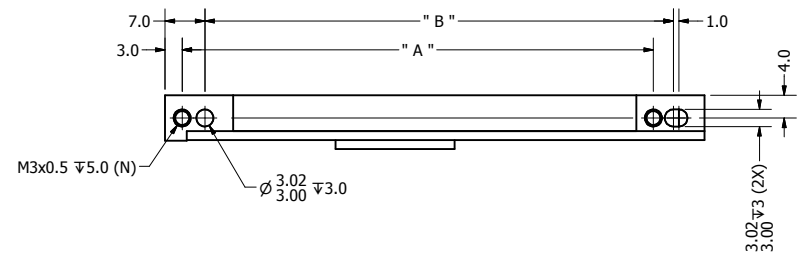


LINEAR SPECIFICATONS:

ENCODER INDEX: 2 ± 1mm FROM REAR STOP
 OPERATING TEMPERATURE: 0°C TO 50°C
 ALL DIMENSIONS ARE IN mm

REVISION HISTORY				
REV	DATE	ECN	DESCRIPTION	APPROVED
E	1/21/2016		PART# CHG	TOAN VU



PIGTAIL

DB-26P	
PIN No	Details
1	PH. A+
2	PH. B+
3	PH. Z+
4	NC
5	NC
6	NC
7	NC
8	NC
9	NC
10	PH. A-
11	PH. B-
12	PH. Z-
13	NC
14	NC
15	NC
16	NC
17	NC
18	NC
19	+5V DC
20	5V RTN
21	NC
22	COIL U
23	COIL V
24	COIL W
25	NC
26	NC

FLYING LEAD

POWER		DB-15P	
PIN No	Details	PIN No	Details
1	GND	1	PH A+
2	+V	2	PH Z+
3	U	3	PH B+
4	V	4	+5V
5	W	5	NC
6	NC	6	NC
		7	NC
		8	NC
		9	NC
		10	PH A-
		11	PH B-
		12	PH Z-
		13	NC
		14	NC
		15	NC
		16	NC
		17	NC
		18	NC
		19	+5V DC
		20	5V RTN
		21	NC
		22	COIL U
		23	COIL V
		24	COIL W
		25	NC
		26	NC

NOTE: SPECIAL MODIFICATION REQUIRED WITH 48Vdc VERSION

LCS8-XXX-YY-Z					
No	Details	UNIT	LCS8-010-55-2	LSA8-025-15-3	LCS8-050-15-3
1	LINEAR STROKE	mm	10	25	50
2	PEAK FORCE	N	4	2.6	2.6
3	FORCE CONSTANT	N/A	3.2	2.2	2.2
4	ENCODER RESOLUTION	micron	5.1	5.1	5.1
5	ENCODER REPEATABILITY	count	+/- 3	+/- 3	+/- 3
6	MAXIMUM CURRENT	Amp	1.7	1.3	1.3
7	COIL RESISTANCE	Ohm	14.5	17.9	17.9
8	MOVING MASS	Kg	0.025	.025	.025
9	TOTAL MASS	Kg	0.16	0.17	0.21
10	VACUUM OPTION		NO	NO	NO
11	SPRINGS OPTION		YES	YES	MOD. REQUIRED
12	DIMENSION (L)	mm	95	110	135
13	DIMENSION (A)	mm	83	98	123
14	DIMENSION (B)	mm	82.5	97.5	122.5
15	DIMENSION (C)	mm	19	19	19
16	(N) Number of mounting hole		2	2	2

TOLERANCES ARE: X ± 0.50 X.X ± 0.1 X.XX ± 0.05 X.XXX ± ANGULARITY ± 0.1° CONCENTRIC ± 0.01 ROUNDNESS ± 0.05 EDGE BREAK 0.02 MAX CHAMFER 0.03 MAX		MATERIAL: HEAT TREATMENT: DESIGNED BY: DRAWN BY: MACHINE FINISH: EXCEPT NOTED PROTECTIVE FINISH: FILE NAME: LCS8-XXX-YY_E.idw		SMAC		REF. NUMBER: LCS8-2X,3X	
DATE: 1/23/2013		CHECKED BY:		DATE:		CONTRACT: LSA8-XXX	
DATE: 1/21/2016		APPROVED BY:		DATE:		SHEET NUMBER: 1 OF 1	
PART NAME: LCS8-XXX-YY-Z		SCALE: NONE		DWG SIZE: C		PART NUMBER: LCS8-XXX-YY-Z	
SPEC. NUMBER: NONE		DO NOT SCALE DWG		REVISION: E			