

SERIES

# SKA DDL 55.275 – 55.550

FORCE [N]

## 275/550

SINEWAVE FORM			SYMBOL	UNITS	TYPE OF WINDING XX = preferential winding					
					14	15	16	17	31	
MOTOR SPEED	Vn drive 145 V (ac) 3phase			[ m/s ]	3	2	1.5	1.1		
	Vn drive 230 V (ac) 3phase			[ m/s ]	4.5	3	2	1.5	1	
	Vn drive 400 V (ac) 3phase			[ m/s ]		5	4	3	2	
<b>COMMON RATINGS</b>										
Voltage constant ± 5%			Ke	[Vrms/m/s]	36	55	72	97	116	
Pole pitch			P	[mm]			24			
Temperature range			Tr	[°C]			0 ÷ 40°			
<b>SKA DDL 55.275</b>										
MOTOR RATINGS	Continuous force( 0 m/s )			Fn0	[ N ]			275		
	Peak force			Fmax	[ N ]			825		
	Force constant ± 5%			Kf	[N/Arms]	60	91	121	161	192
	Rated current ( 0 m/s )			In0	[Arms]	4.6	3.0	2.28	1.71	1.43
	Peak current			I fmax	[Arms]	18.38	12.0	9.13	6.84	5.7
	Phase/phase res. ± 5% a 20°C			Rff	[Ohm]	2.3	4.9	8.8	15.0	23
	Phase/phase inductance			Lff	[mH]	32	68	120	206	325
	Electrical time constant			Te	[msec]			13.8		
	Attraction force			Fm	[ N ]			1202		
	Power loss			Pd	[ W ]			96		
	Thermal resistance			Rth	[°C/W]			0.94		
	Motor constant			Km	[N/√W]			28.1		
	<b>SKA DDL 55. 550</b>									
Continuous force( 0 m/s )			Fn0	[ N ]			550			
Peak force			Fmax	[ N ]			1650			
Force constant ± 5%			Kf	[N/Arms]		86	113	151	192	
Rated current ( 0 m/s )			In0	[Arms]		6.41	4.87	3.65	2.86	
Peak current			I fmax	[Arms]		25.65	19.47	14.59	11.4	
Phase/phase res. ± 5% a 20°C			Rff	[Ohm]		2.5	4.4	7.5	12	
Phase/phase inductance			Lff	[mH]		34	60	103	162	
Electrical time constant			Te	[msec]			13.8			
Attraction force			Fm	[ N ]			2405			
Power loss			Pd	[ W ]			192			
Thermal resistance			Rth	[°C/W]			0.47			
Motor constant			Km	[N/√W]			39.7			
THERMAL PROTECTION	Type of thermal cut-off							N C : normally closed		
	Rated voltage			Vn	[ Vac ]			250		
	Rated current			In	[ A ]			2.5		
	Operative temperature			Tn	[ °C ]			130 °C ± 5%		
	Resetting temperature			Tr	[ °C ]			100 °C ± 15°C		
	Operative time				[ ms ]			1		
Insulation class							F			

Datasheet n°: SKADDL-2012-04-17

SERIES

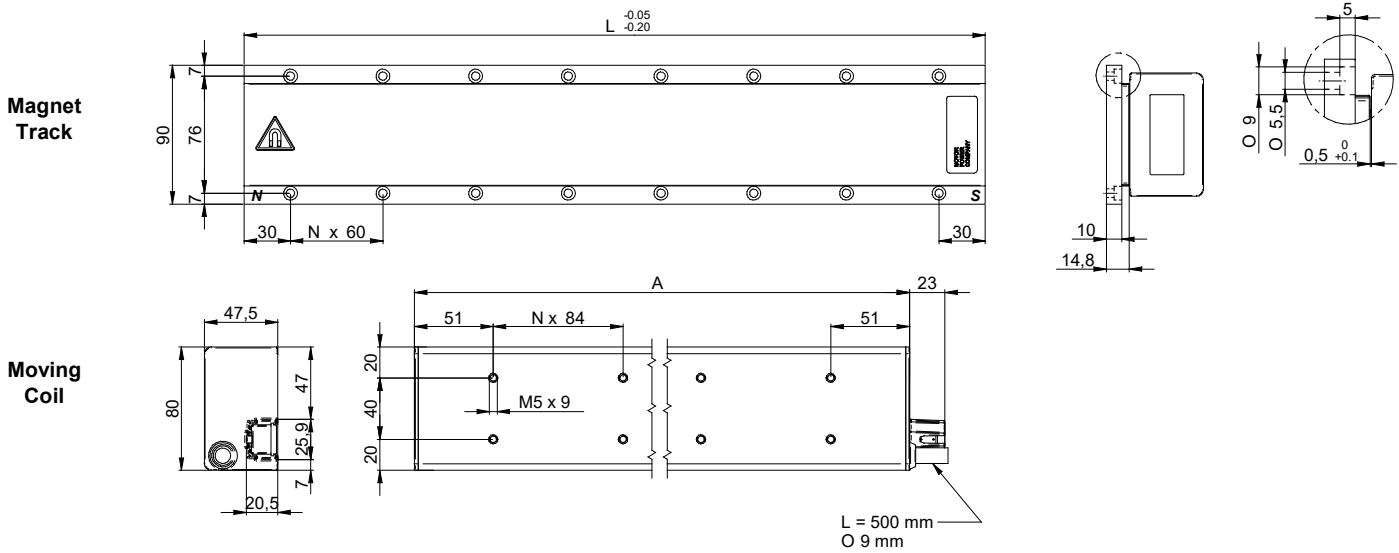
**SKA**

**DDL 55**

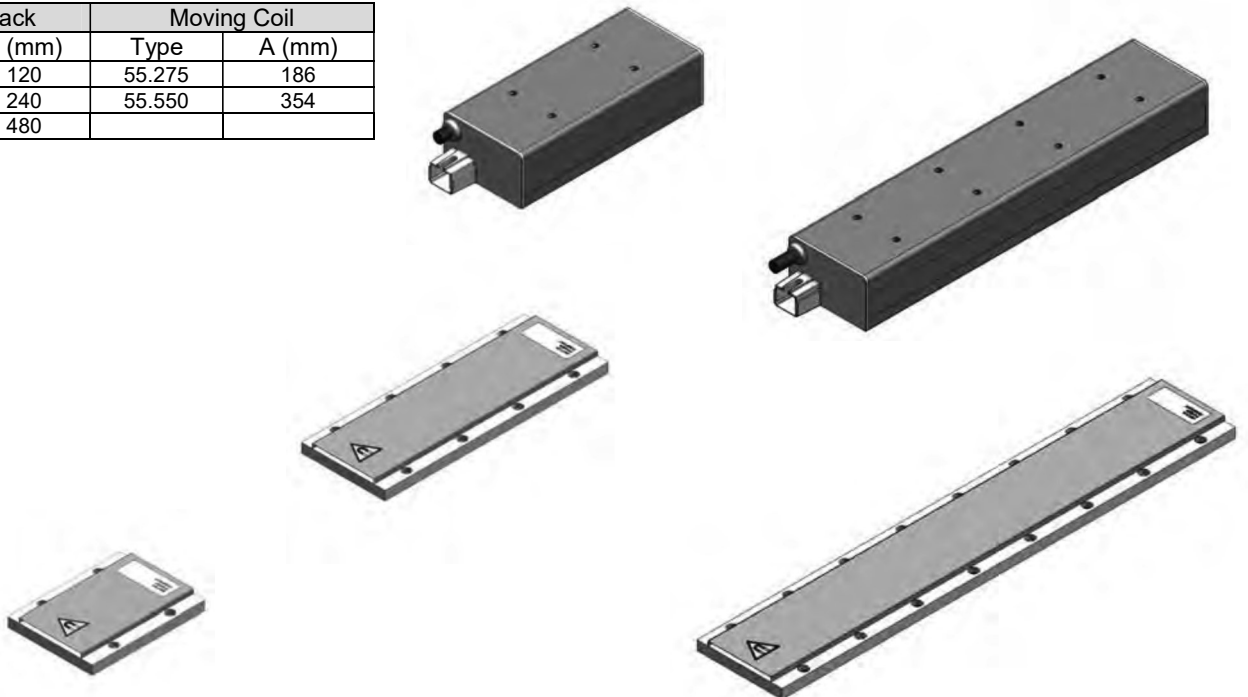
FORCE [N]

**275/550**

**MOTOR DIMENSIONS**



Magnet Track		Moving Coil	
Type	L (mm)	Type	A (mm)
55-120	120	55.275	186
55-240	240	55.550	354
55-480	480		



Datasheet n°: SKADDL-2008-03-00